

Electrical

Frequency	0-67 GHz
VSWR	1.30 Max
Impedance	50 Ohms
Power Handling	2 Watt Average @ 25°C Derated Linearly to 0.5 Watts @ 125°C

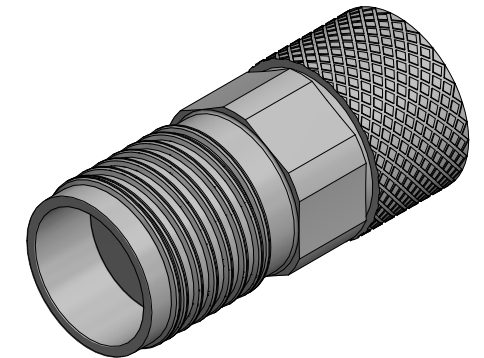
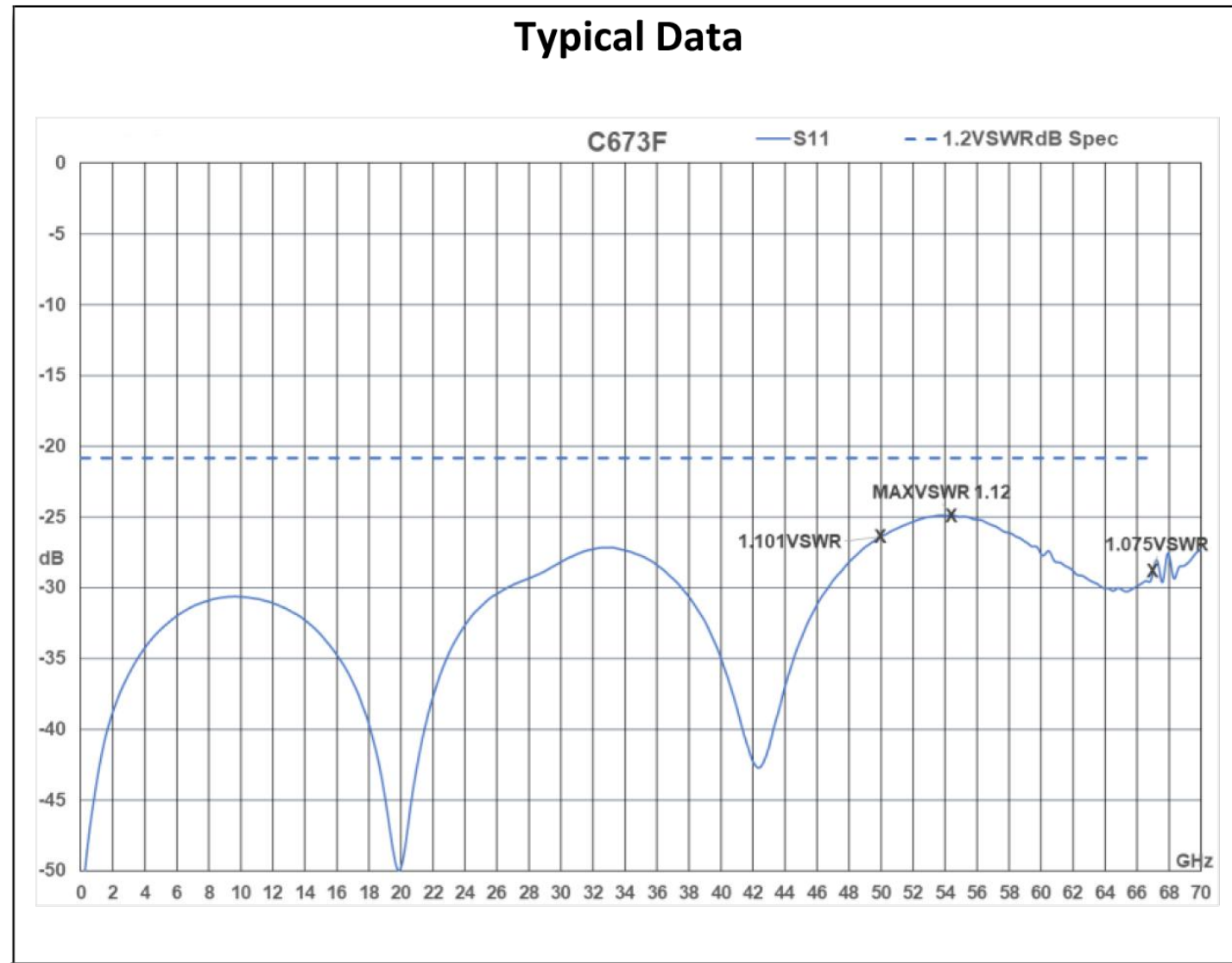
Mechanical

1.85 Interface per Operating Temperature	IEEE P287 -55°C to +125°C
---	------------------------------

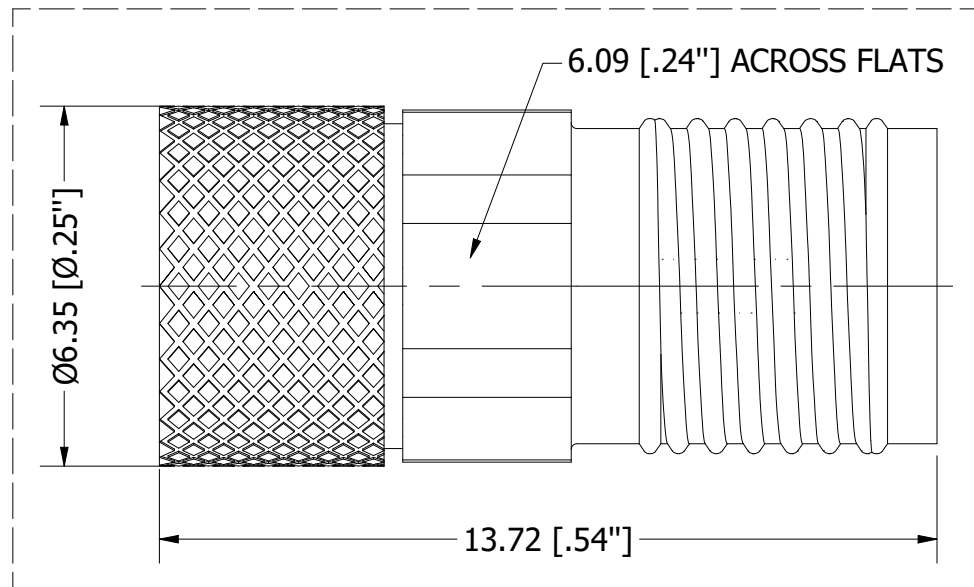
Materials

Description	Material	Finish
Body	Stainless Steel	Passivated
Contacts	Brass	Au 50µ" Min Plated

RoHS Compliant



ITEM No. : C673F
Customer P/N: MLT-185FST-2



PROPRIETARY AND CONFIDENTIAL
THE INFORMATION CONTAINED IN THIS DRAWING IS THE SOLE PROPERTY OF MULTILANE. ANY REPRODUCTION IN PART OR AS WHOLE WITHOUT THE WRITTEN PERMISSION OF MULTILANE IS PROHIBITED

UNLESS OTHERWISE SPECIFIED

DIMENSIONS ARE IN MILLIMETRES

TOLERANCES:

x.x ± 0.1
x.xx ± 0.05
Rad ± 0.1
Dia ± 0.1
Ang ± 0.1°

MATERIAL: N/A

FINISH: N/A

INTERPRET GEOMETRIC TOLERANCING PER: ASME Y14.5-2009



TITLE

RF Coaxial Terminator, 1.85mm (F),
50 Ohm, 2 Watt, 67 GHz

SIZE	QTY	PART NO	REV
B		142-7089-001	A00
SCALE	7.5	SHEET 1 OF 1	