

SPECIFICATION:
ELECTRICAL RATINGS

Impedance	50 ohm
Frequency Range	0~ 40 GHz
V.S.W.R	1.15max at 40GHz
Insertion Loss	0.38 db at 40 GHz
Working Voltage (at Sea Level)	250 V RMS max.
Dielectric Withstanding Voltage (at Sea Level)	1000 V RMS max.
Contact Resistance	3 Milliohms max.
Center Contact	2 Milliohms max.
Outer Contact	
Insulation Resistance	5000 megohms min.
Durability	1000 Cycles
Temperature Range	-65°C TO +165°C

NOTES:

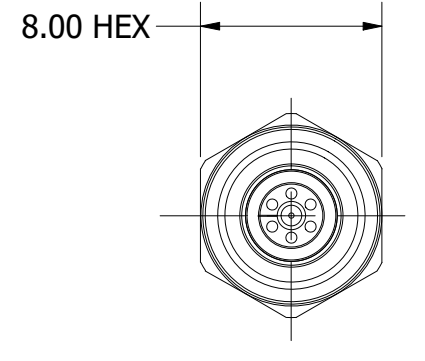
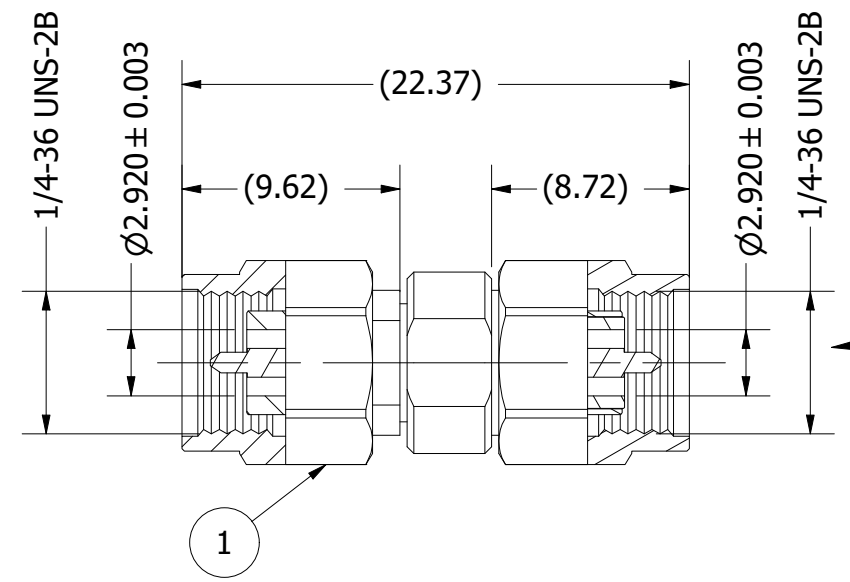
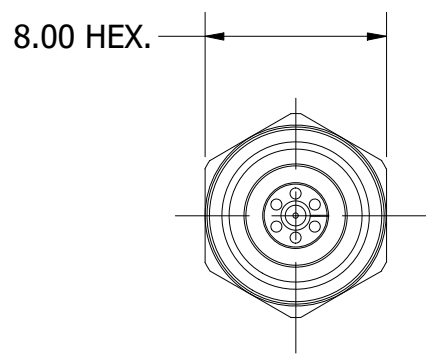
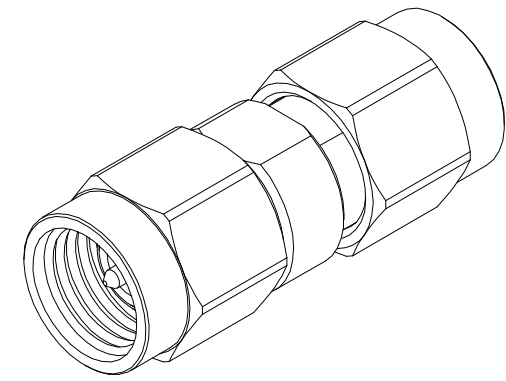
1. These Characteristics are typical and for reference.
2. Protection cap must be installed before packing
3. Parts to be packaged in trays.

REVISION HISTORY	
REV	DESCRIPTION
02	Design Release

CUSTOMER OUTLINE DRAWING



RoHS Compliant



ITEM No.: 611-611-4400
Customer P/N: MLA-292MST-292MST

ITEM	QTY	DESCRIPTION	MATERIAL	FINISH
1	2	COUPLING NUT	STAINLESS STEEL	PASSIVATED
1	1	BODY 1	STAINLESS STEEL	PASSIVATED
1	1	BODY 2	STAINLESS STEEL	PASSIVATED
1	1	INNER BODY	STAINLESS STEEL	PASSIVATED
1	1	CONTACT	BRASS	GOLD PLATED
1	1	INSULATOR	PCTFE (WHITE)	N/A
1	2	C-RING	STAINLESS STEEL	N/A
2	2	PROTECTION CAP	SOFT PVC (YELLOW)	N/A

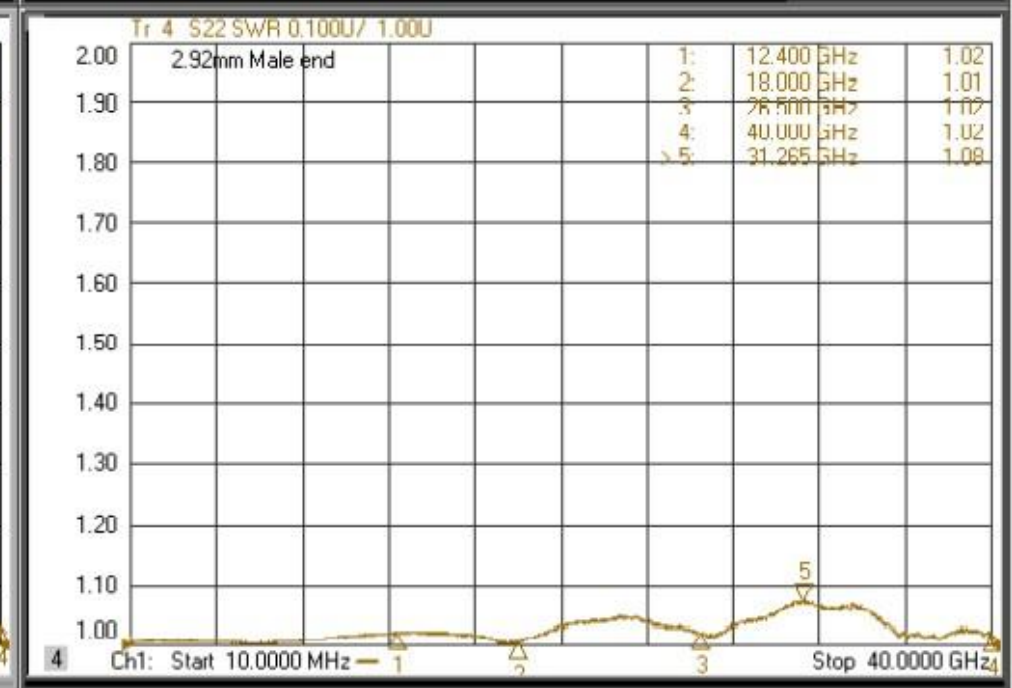
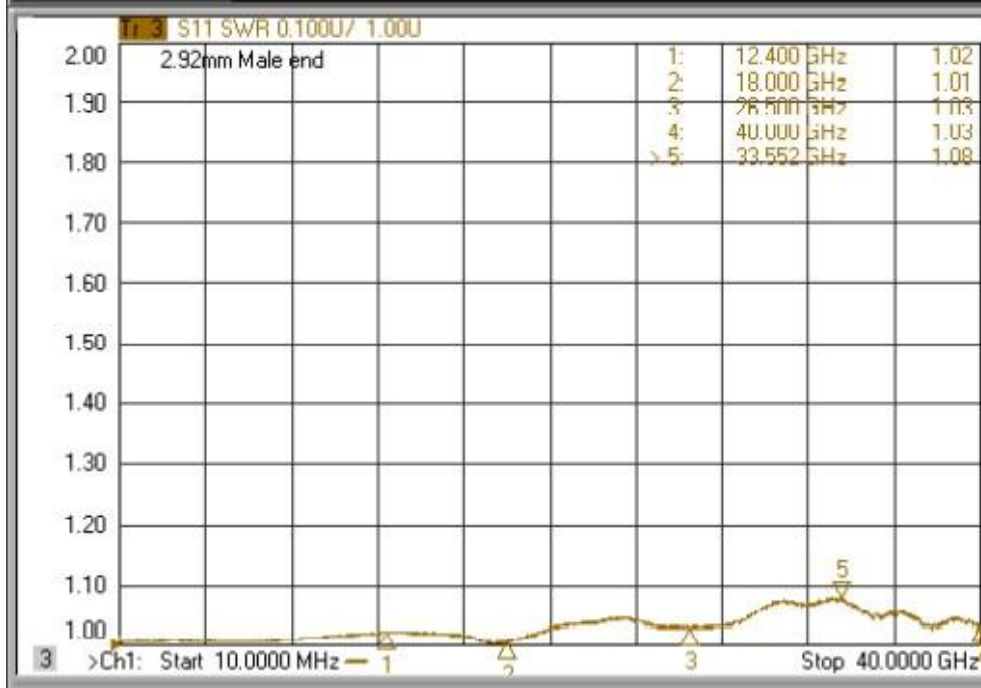
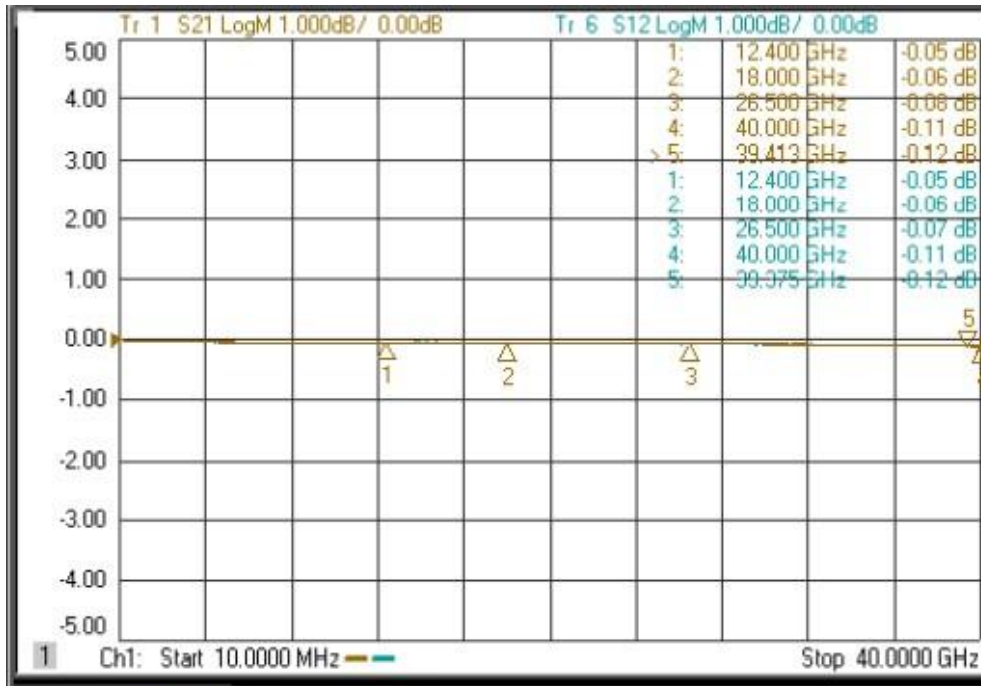
PROPRIETARY AND CONFIDENTIAL
THE INFORMATION CONTAINED IN THIS DRAWING IS THE SOLE PROPERTY OF MULTILANE. ANY REPRODUCTION IN PART OR AS WHOLE WITHOUT THE WRITTEN PERMISSION OF MULTILANE IS PROHIBITED

UNLESS OTHERWISE SPECIFIED
DIMENSIONS ARE IN MILLIMETRES
TOLERANCES:
x.x ± 0.1
x.xx ± 0.05
Rad ± 0.1
Dia ± 0.1
Ang ± 0.1°
MATERIAL: N/A
FINISH: N/A
INTERPRET GEOMETRIC TOLERANCING PER: ASME Y14.5-2009



TITLE
RF Coaxial Adapter,
2.92 mm (M) to 2.92 mm (M), 40 GHz

SIZE	QTY	PART NO	REV
B	3	142-7078-006	02



UNLESS OTHERWISE SPECIFIED

DIMENSIONS ARE IN MILLIMETRES

TOLERANCES:

- x.x ± 0.1
- x.xx ± 0.05
- Rad ± 0.1
- Dia ± 0.1
- Ang ± 0.1°

MATERIAL: N/A

FINISH: N/A

INTERPRET GEOMETRIC TOLERANCING PER: ASME Y14.5-2009



TITLE
**RF Coaxial Adapter,
 2.92 mm (M) to 2.92 mm (M), 40GHz ,
 Test Report**

PROPRIETARY AND CONFIDENTIAL
 THE INFORMATION CONTAINED IN THIS DRAWING IS THE SOLE PROPERTY OF MULTILANE. ANY REPRODUCTION IN PART OR AS WHOLE WITHOUT THE WRITTEN PERMISSION OF MULTILANE IS PROHIBITED

SIZE	QTY	PART NO	REV
B		129-7078-006	02
SCALE			