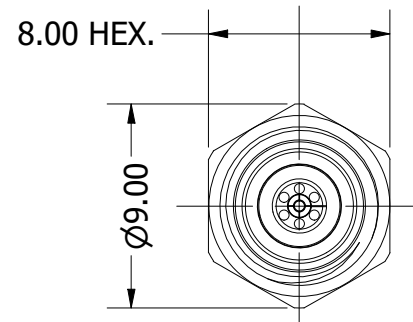
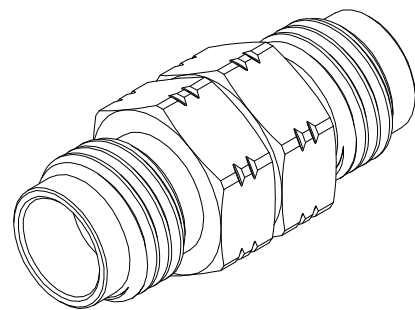


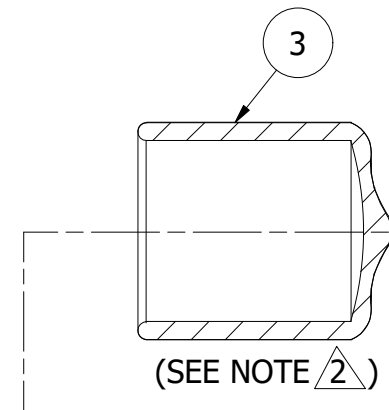
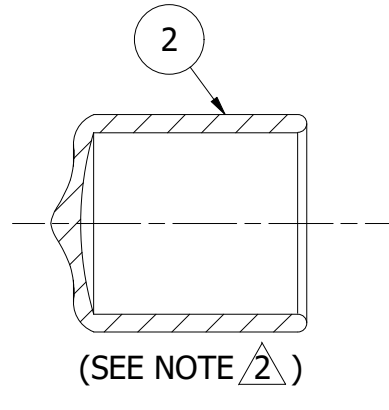
SPECIFICATION:
ELECTRICAL RATINGS

Impedance	50 ohm
Frequency Range	0~ 50 GHz
V.S.W.R	1.20max at 50GHz
Insertion Loss	0.42 db at 50 GHz
Working Voltage (at Sea Level)	250 V RMS max.
Dielectric Withstanding Voltage (at Sea Level)	1000 V RMS max.
Contact Resistance	3 Milliohms max.
Center Contact	2 Milliohms max.
Outer Contact	
Insulation Resistance	5000 megohms min.
Durability	1000 Cycles
Temperature Range	-65°C TO +165°C

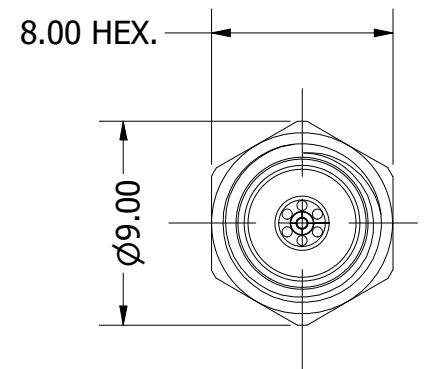
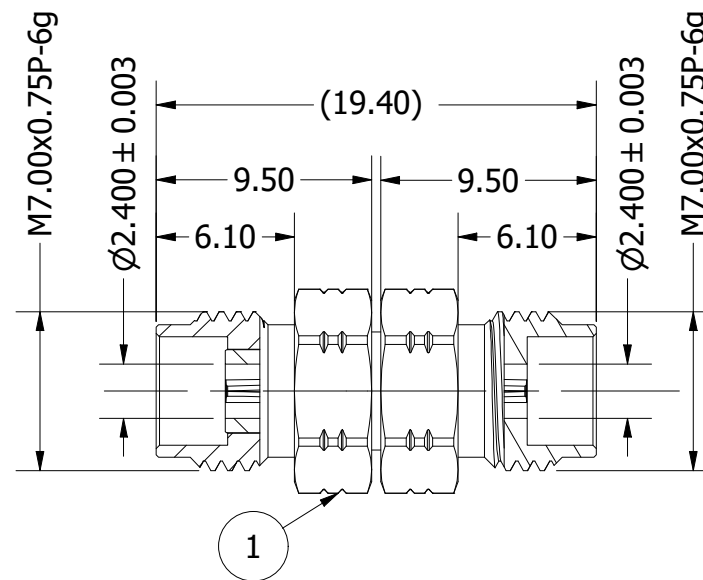
- NOTES:
 1. These Characteristics are typical and for reference.
 2. Protection cap must be installed before packing
 3. Parts to be packaged in trays.



CUSTOMER OUTLINE DRAWING



RoHS Compliant



ITEM No.: 602-602-4400
 Customer P/N: MLA-240FST-240FST

ITEM	QTY	DESCRIPTION	MATERIAL	FINSIH
1	1	JACK BODY	STAINLESS STEEL	PASSIVATED
1	1	INNER BODY	STAINLESS STEEL	PASSIVATED
1	1	BODY	STAINLESS STEEL	PASSIVATED
1	1	CONTACT	BERYLLIUM COPPER	GOLD PLATED
1	1	INSULATOR	PCTFE (WHITE)	N/A
2	2	PROTECTION CAP	SOFT PVC (BLUE)	N/A

PROPRIETARY AND CONFIDENTIAL
 THE INFORMATION CONTAINED IN THIS DRAWING IS THE SOLE PROPERTY OF MULTILANE. ANY REPRODUCTION IN PART OR AS WHOLE WITHOUT THE WRITTEN PERMISSION OF MULTILANE IS PROHIBITED

UNLESS OTHERWISE SPECIFIED
 DIMENSIONS ARE IN MILLIMETRES
 TOLERANCES:
 x.x ± 0.1
 x.xx ± 0.05
 Rad ± 0.1
 Dia ± 0.1
 Ang ± 0.1°
 MATERIAL: N/A
 FINISH: N/A
 INTERPRET GEOMETRIC TOLERANCING PER: ASME Y14.5-2009

multiLane

TITLE
**RF Coaxial Adapter,
 2.40 mm (F) to 2.40 mm (F), 50GHz**

SIZE	QTY	PART NO	REV
B		142-7078-005	02

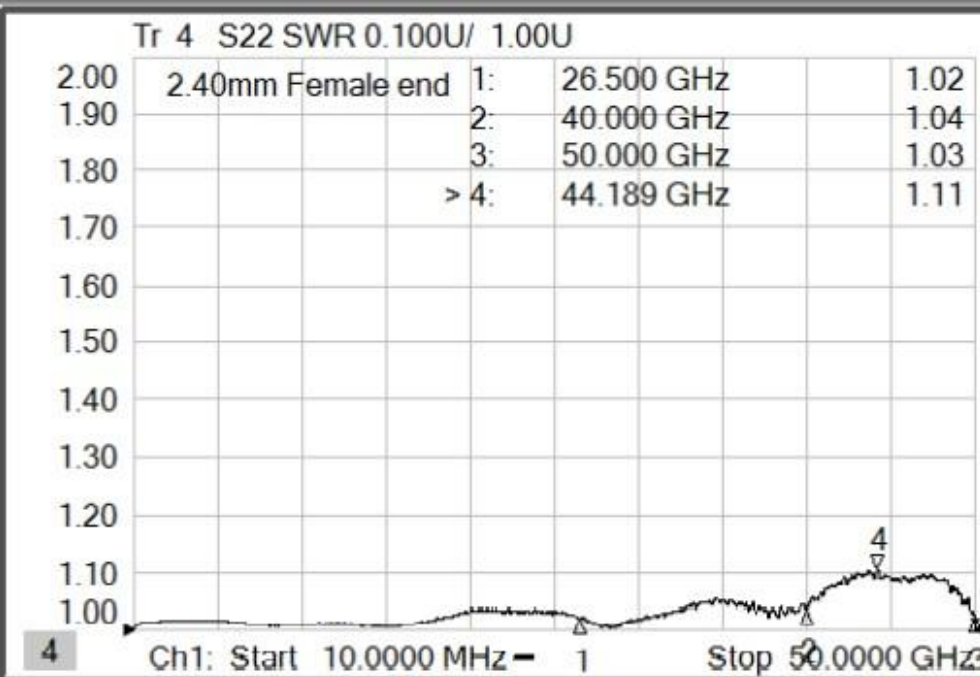
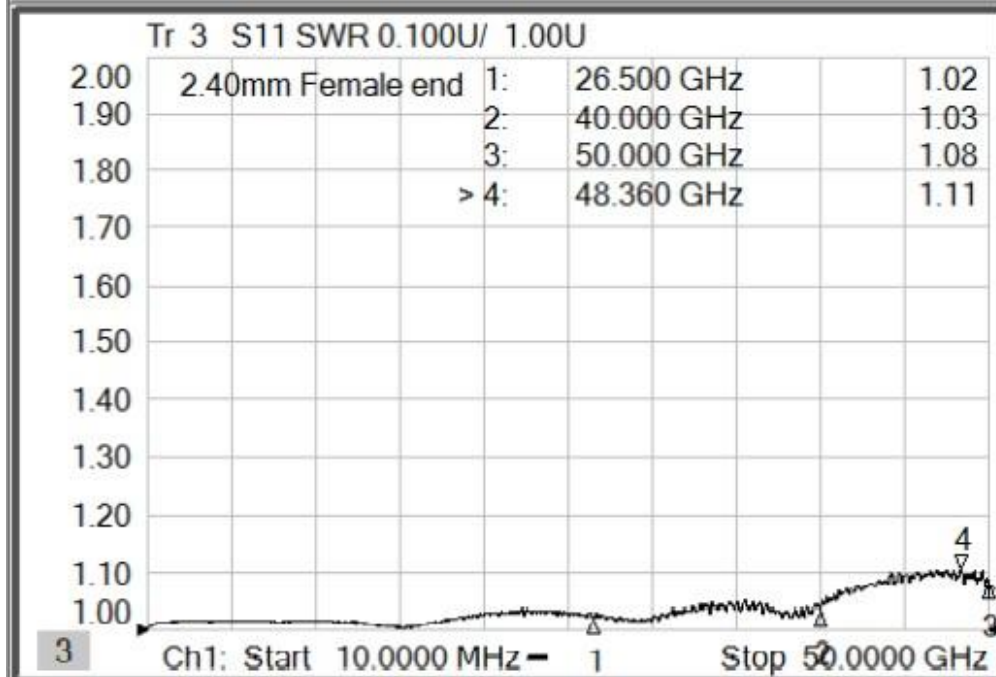
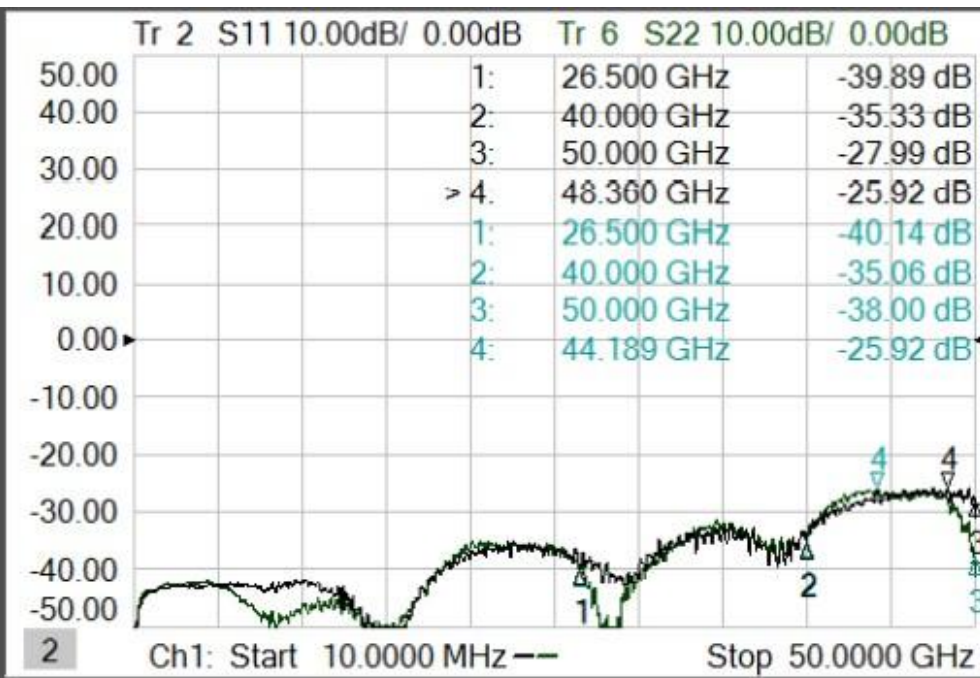
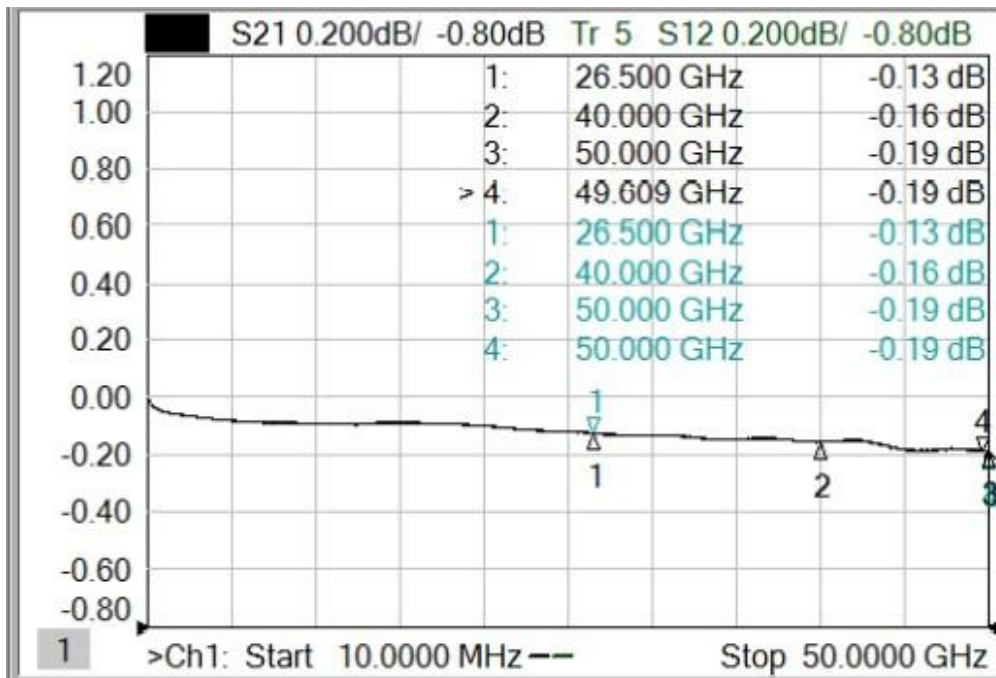
SCALE 3

4

3

2

1



UNLESS OTHERWISE SPECIFIED

DIMENSIONS ARE IN MILLIMETRES

TOLERANCES:

- x.x ± 0.1
- x.xx ± 0.05
- Rad ± 0.1
- Dia ± 0.1
- Ang ± 0.1°

MATERIAL: N/A

FINISH: N/A

INTERPRET GEOMETRIC TOLERANCING PER: ASME Y14.5-2009



TITLE
**RF Coaxial Adapter,
 2.40 mm (F) to 2.40 mm (F), 50GHz ,
 Test Report**

PROPRIETARY AND CONFIDENTIAL

THE INFORMATION CONTAINED IN THIS DRAWING IS THE SOLE PROPERTY OF MULTILANE. ANY REPRODUCTION IN PART OR AS WHOLE WITHOUT THE WRITTEN PERMISSION OF MULTILANE IS PROHIBITED

SIZE	QTY	PART NO	REV
B		129-7078-005	02

SCALE

4

3

2

1