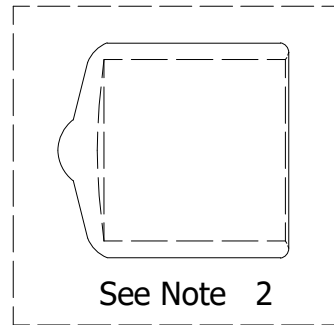
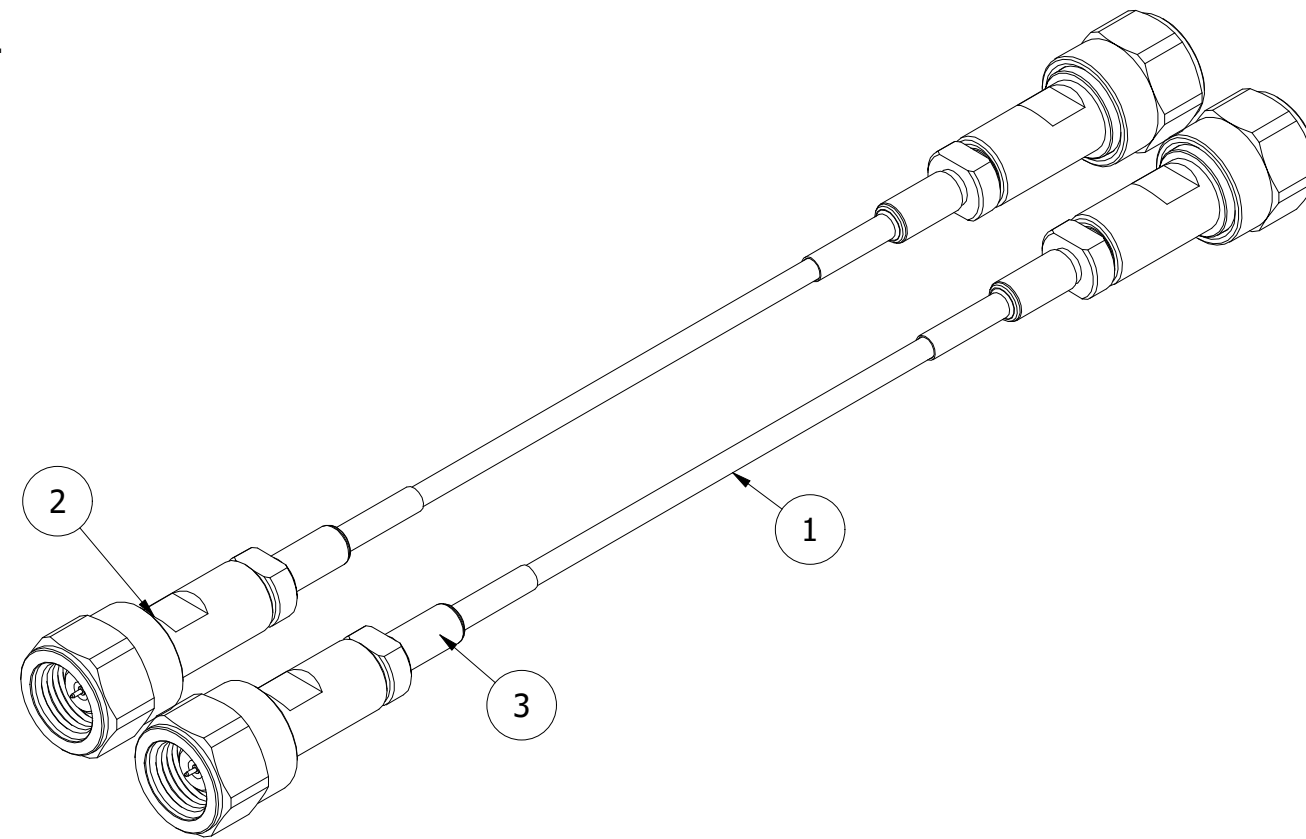


PART NO.	Cable Length (cm.)	Customer PART NO.	X	DESCRIPTION
142-7111-000	30	MLC-135MST-F04730-135MST-2-X	S	Single phase stable cable
142-7111-001	60	MLC-135MST-F04760-135MST-2-X	P	Pair of phase matched cables

REVISION HISTORY	
DESCRIPTION	REV
PRELIMINARY DESIGN	00

NOTES:

- CONNECTORS AND CABLE TO BE CLEANED BEFORE ASSEMBLY.
- PROTECTION CAP MUST BE INSTALLED BEFORE PACKING (COLOR : PINK)



ITEM No.: CF70-0019-565647
Customer P/N: MLC-135MST-F047XX-135MST-2-X

ELECTRICAL SPECIFICATIONS:

Impedance	50 Ohms
Frequency Range	DC to 90 GHz
V.S.W.R.	1.3 MAX @ 90 GHz
Insulation Resistance	1500 MegOhms min.
Dielectric Withstanding Voltage (HI-POT Test)	500 Vrms min.

MECHANICAL SPECIFICATIONS:

Durability: Bend Flex Test : XXX Cycles MIN Pull Out Test : X lb MIN
Swing Test : XXX

ITEM	PART No	DESCRIPTION	MATERIAL	FINISH	QTY
1	604-7096-0XX	29 AWG (KF047A) DOUBLE SHIELD CABLE STRIPPING	-	-	1
2	142-7097-135	1.35 mm STR.PLUG FOR 29 AWG (KF047A) DOUBLE SHIELD CABLE CONN.	STAINLESS STEEL	PASSIVATED	2
3	411-7057-004	HEAT SHRINKABLE TUBE,∅3mm,L=12.7mm, WITH HOT MELTED ADHESIVE	-	-	2

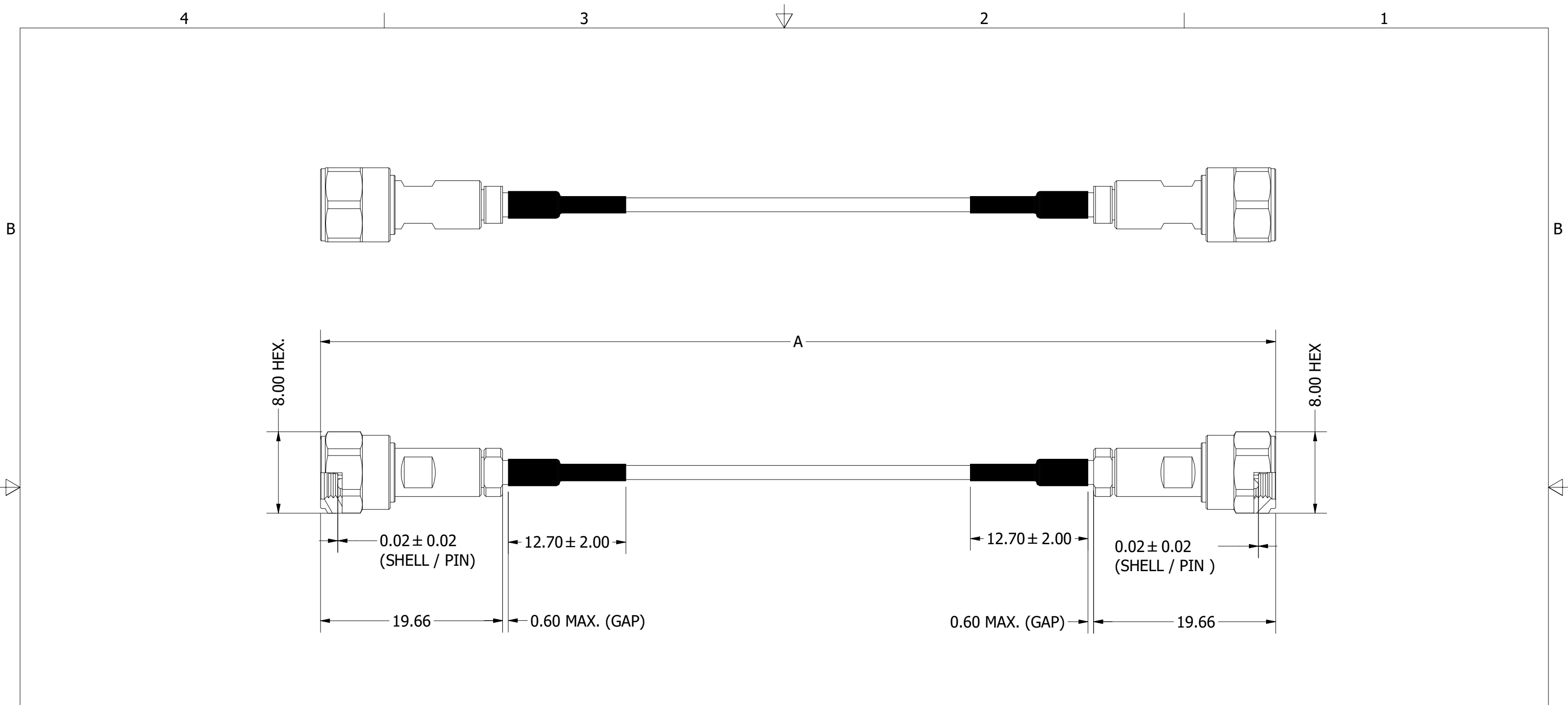
UNLESS OTHERWISE SPECIFIED
DIMENSIONS ARE IN MILLIMETRES [INCHES]
TOLERANCES:
x.x ± 0.1
x.xx ± 0.05
Rad ± 0.1
Dia ± 0.1
Ang ± 0.1°
MATERIAL: N/A
FINISH: N/A
INTERPRET GEOMETRIC TOLERANCING PER: ASME Y14.5-2009



TITLE
Coaxial Cable Assembly, 1.35 mm (M) ST. to 1.35 mm (M) ST., XXcm, Flexible 047, Phase Matched Cable Pair to 2 ps, 90 GHz

PROPRIETARY AND CONFIDENTIAL
THE INFORMATION CONTAINED IN THIS DRAWING IS THE SOLE PROPERTY OF MULTILANE. ANY REPRODUCTION IN PART OR AS WHOLE WITHOUT THE WRITTEN PERMISSION OF MULTILANE IS PROHIBITED

SIZE	QTY	PART NO	REV
B		142-7111-XXX	00
SCALE	2	SHEET 1 OF 2	



UNLESS OTHERWISE SPECIFIED
 DIMENSIONS ARE IN MILLIMETRES [INCHES]
 TOLERANCES:
 x.x ± 0.1
 x.xx ± 0.05
 Rad ± 0.1
 Dia ± 0.1
 Ang ± 0.1°
 MATERIAL: N/A
 FINISH: N/A
 INTERPRET GEOMETRIC TOLERANCING
 PER: ASME Y14.5-2009



TITLE
**Coaxial Cable Assembly, 1.35 mm (M) ST.
 to 1.35 mm (M) ST., XXcm, Flexible 047,
 Phase Matched Cable Pair to 2 ps, 90 GHz**

PROPRIETARY AND CONFIDENTIAL
 THE INFORMATION CONTAINED IN THIS
 DRAWING IS THE SOLE PROPERTY OF
 MULTILANE. ANY REPRODUCTION IN PART OR
 AS WHOLE WITHOUT THE WRITTEN
 PERMISSION OF MULTILANE IS PROHIBITED

PART NO.	A (cm.)	INSERTION LOSS	TIME DELAY (REF)
142-7111-000	30	-6.35 dB @ 90 GHz	TBD
142-7111-001	60	TBD	TBD

SIZE	QTY	PART NO	REV
B		142-7111-XXX	00
SCALE	2.5	SHEET 2 OF 2	