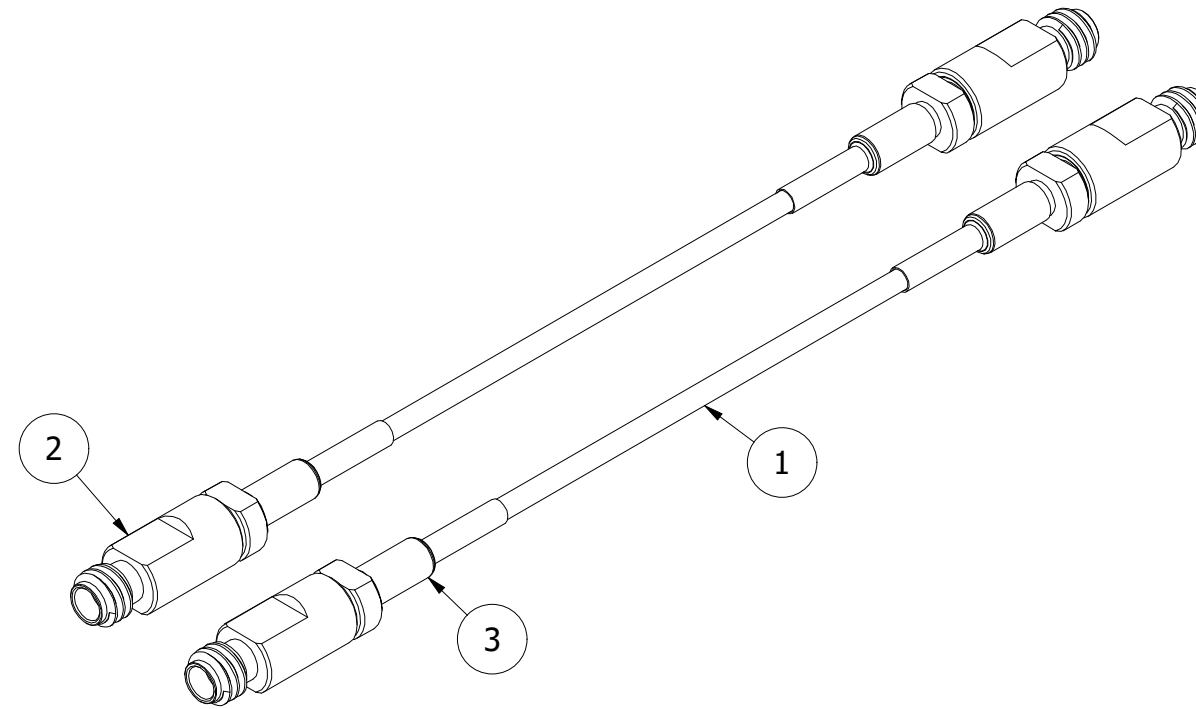
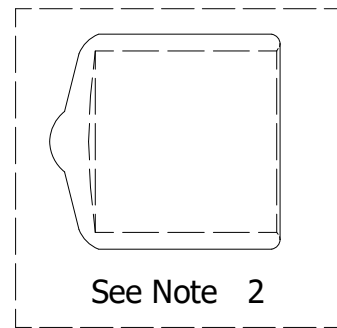


PART NO.	Cable Length (cm.)	Customer PART NO.	X	DESCRIPTION
142-7108-000	30	MLC-100FST-F04730-100FST-2-X	S	Single phase stable cable
142-7108-001	60	MLC-100FST-F04760-100FST-2-X	P	Pair of phase matched cables

REVISION HISTORY	
DESCRIPTION	REV
PRELIMINARY DESIGN	00

NOTES:

- CONNECTORS AND CABLE TO BE CLEANED BEFORE ASSEMBLY.
- PROTECTION CAP MUST BE INSTALLED BEFORE PACKING (COLOR : GRAY)



ITEM No.: CF70-0018-555547
Customer P/N: MLC-100FST-F047XX-100FST-2-X

ELECTRICAL SPECIFICATIONS:

Impedance	50 Ohms
Frequency Range	DC to 110 GHz
V.S.W.R.	1.3 MAX @ 67 GHz 1.5 MAX @ 110 GHz
Insulation Resistance	1200 MegOhms min.
Contact Resistance	
Center Contact	4.00 m Ohm
Outer Contact	0.2 m Ohm
Working Voltage (at Sea Level)	150 Vrms
Dielectric Withstanding Voltage (HI-POT Test)	110 Vrms min.

MECHANICAL SPECIFICATIONS:

Durability: Bend Flex Test : XXX Cycles MIN Pull Out Test : X lb MIN
Swing Test : XXX

ITEM	PART No	DESCRIPTION	MATERIAL	FINISH	QTY
1	604-7096-0XX	29 AWG (KF047A) DOUBLE SHIELD CABLE STRIPPING	-	-	1
2	142-7098-100	1.00 mm STR.JACK FOR 29 AWG (KF047A) DOUBLE SHIELD CABLE CONN.	STAINLESS STEEL	PASSIVATED	2
3	411-7057-004	HEAT SHRINKABLE TUBE,ø3mm,L=12.7mm, WITH HOT MELTED ADHESIVE	-	-	2

UNLESS OTHERWISE SPECIFIED

DIMENSIONS ARE IN MILLIMETRES [INCHES]

TOLERANCES:

- x.x ± 0.1
- x.xx ± 0.05
- Rad ± 0.1
- Dia ± 0.1
- Ang ± 0.1°

MATERIAL: N/A

FINISH: N/A

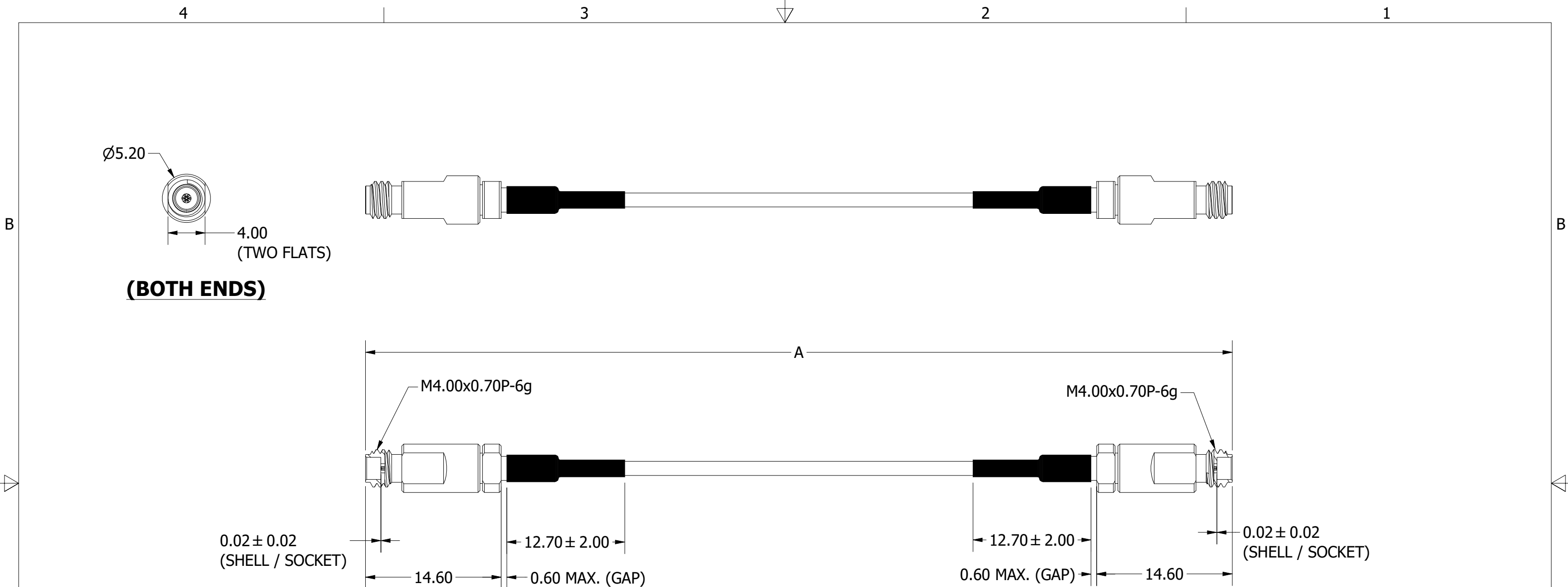
INTERPRET GEOMETRIC TOLERANCING PER: ASME Y14.5-2009




TITLE
Coaxial Cable Assembly, 1.00 mm (F) ST. to 1.00 mm (F) ST., XXcm, Flexible 047, Phase Matched Cable Pair to 2 ps, 110 GHz

SIZE	QTY	PART NO	REV
B		142-7108-XXX	00
SCALE	2	SHEET 1 OF 2	

PROPRIETARY AND CONFIDENTIAL
THE INFORMATION CONTAINED IN THIS DRAWING IS THE SOLE PROPERTY OF MULTILANE. ANY REPRODUCTION IN PART OR AS WHOLE WITHOUT THE WRITTEN PERMISSION OF MULTILANE IS PROHIBITED



				UNLESS OTHERWISE SPECIFIED						
				DIMENSIONS ARE IN MILLIMETRES [INCHES]						
				TOLERANCES:		TITLE				
				x.x ± 0.1		Coaxial Cable Assembly, 1.00 mm (F) ST.				
				x.xx ± 0.05		to 1.00 mm (F) ST., XXcm, Flexible 047,				
				Rad ± 0.1		Phase Matched Cable Pair to 2 ps, 110 GHz				
				Dia ± 0.1		SIZE		PART NO		REV
				Ang ± 0.1°		B		142-7108-XXX		00
				MATERIAL: N/A		SCALE		2.5		SHEET 2 OF 2
				FINISH: N/A						
				INTERPRET GEOMETRIC TOLERANCING PER: ASME Y14.5-2009						
				PER: ASME Y14.5-2009						
				PROPRIETARY AND CONFIDENTIAL THE INFORMATION CONTAINED IN THIS DRAWING IS THE SOLE PROPERTY OF MULTILANE. ANY REPRODUCTION IN PART OR AS WHOLE WITHOUT THE WRITTEN PERMISSION OF MULTILANE IS PROHIBITED						
PART NO.	A (cm.)	INSERTION LOSS	TIME DELAY (REF)							
142-7108-000	30	-5.60 dB @ 110 GHz	TBD							
142-7108-001	60	TBD	TBD							