

CUSTOMER OUTLINE DRAWING

| REVISION HISTORY | | |
|------------------|-----|----------------|
| ZONE | REV | DESCRIPTION |
| | A00 | Design Release |

ELECTRICAL SPECIFICATIONS

| | |
|--|---------------------|
| Impedance | 50 ohm |
| Frequency Range | 0 ~ 40GHz |
| V.S.W.R. | 1.30 max at 40GHz |
| Insertion Loss | ≤ 0.49 DB at 40 GHz |
| Working Voltage (at Sea Level) | 500 V RMS max. |
| Dielectric Withstanding Voltage (at Sea Level) | 1000 V RMS MAX. |
| Contact Resistance | |
| Center Contact | 3 Milliohms max. |
| Outer Contact | 2.5 Milliohms max. |
| Insulation Resistance | 5000 megaohms min. |

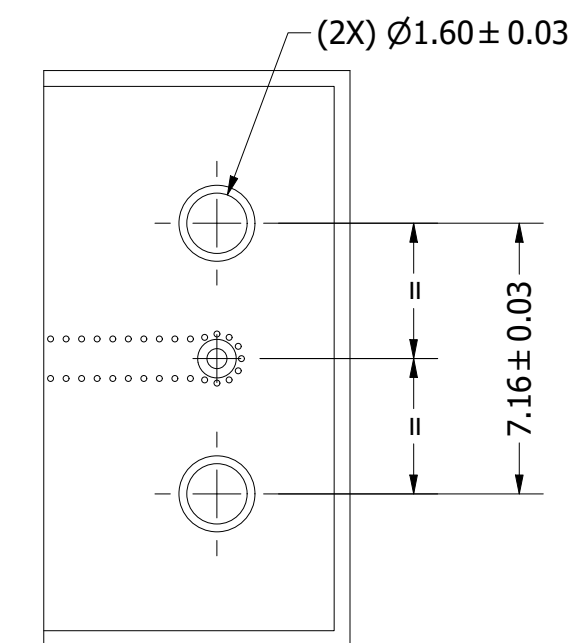
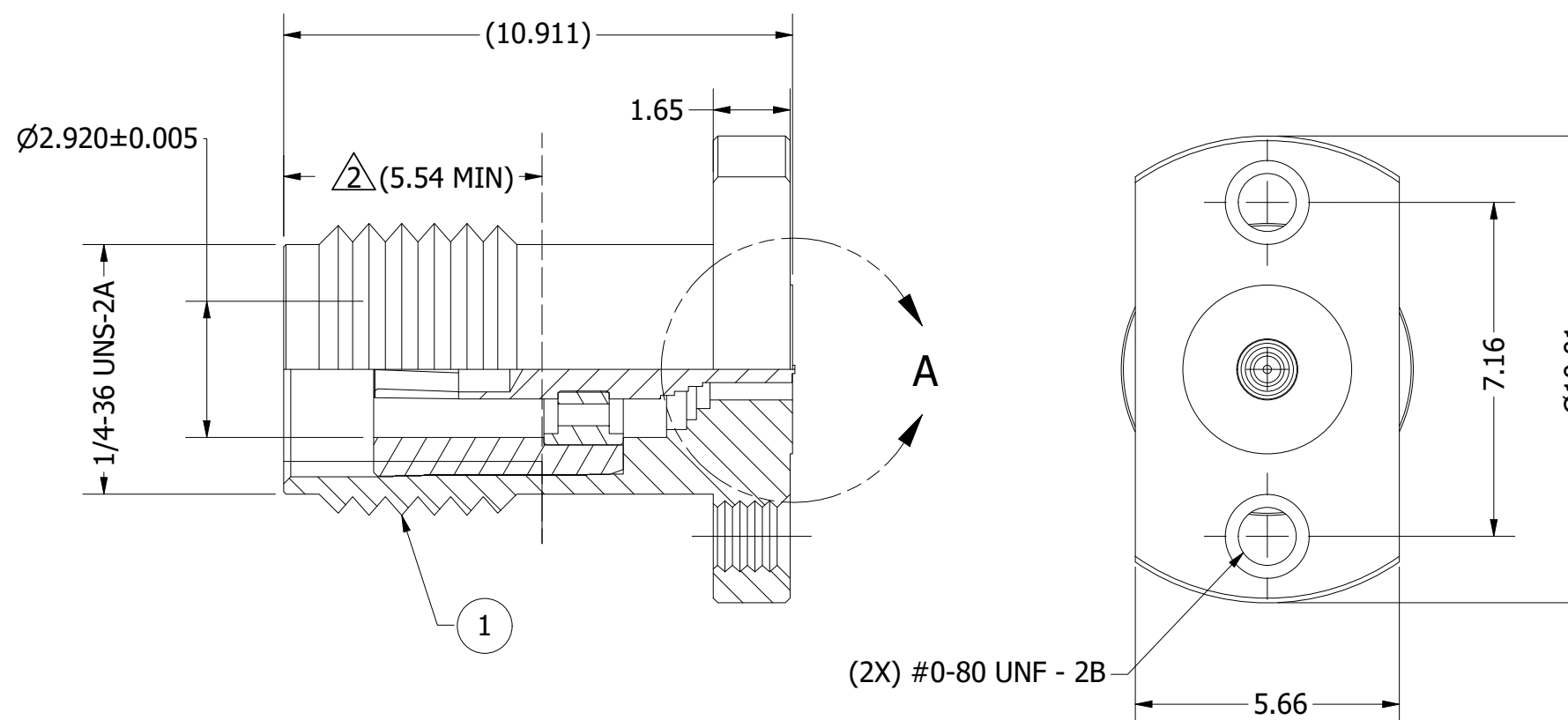
MECHANICAL SPECIFICATIONS

| | |
|---------------------------|-----------------|
| Temperature Range | -55°C to +120°C |
| Male-Female Mating Cycles | ≥ 500 Cycles |
| Installation Cycles | 100 |

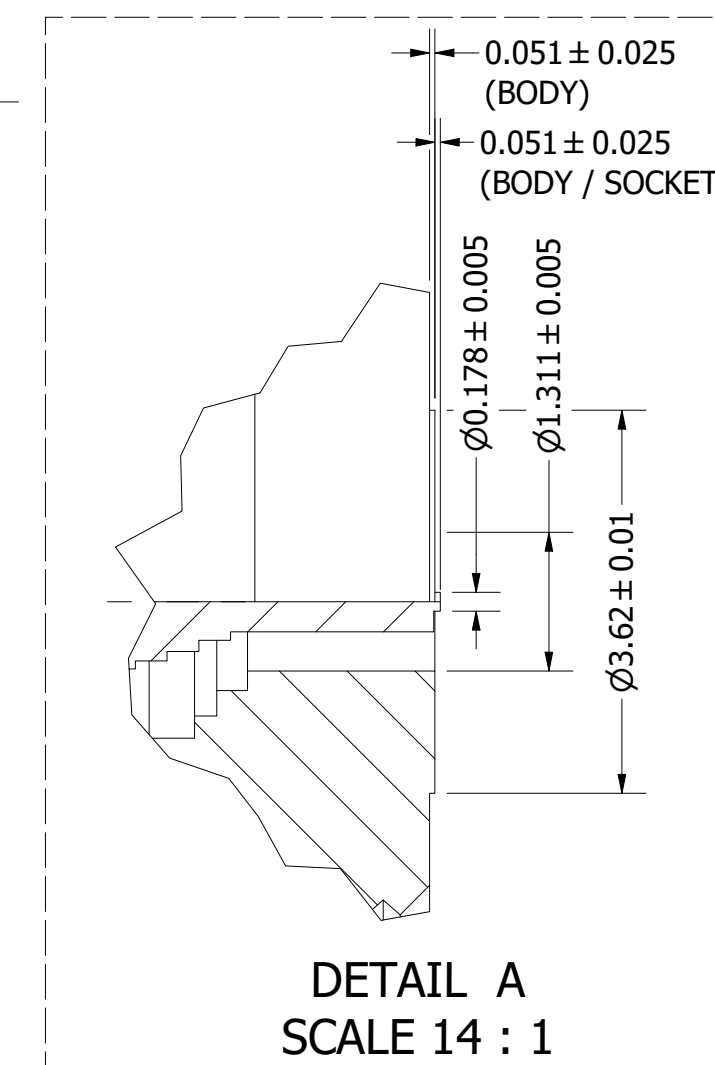
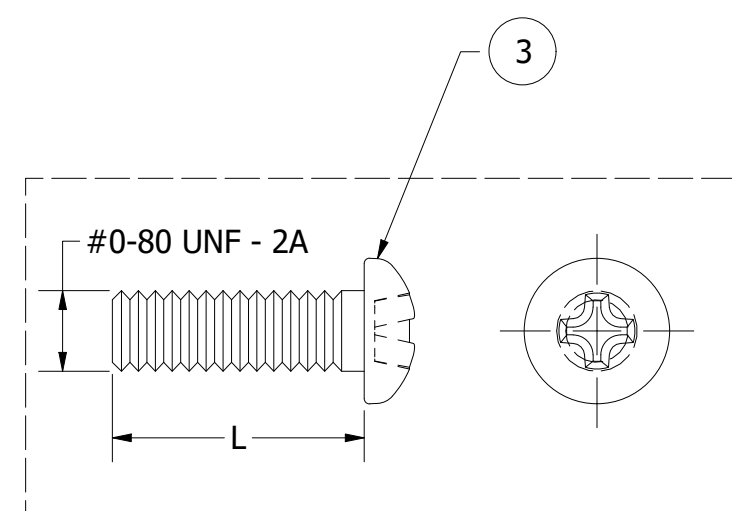
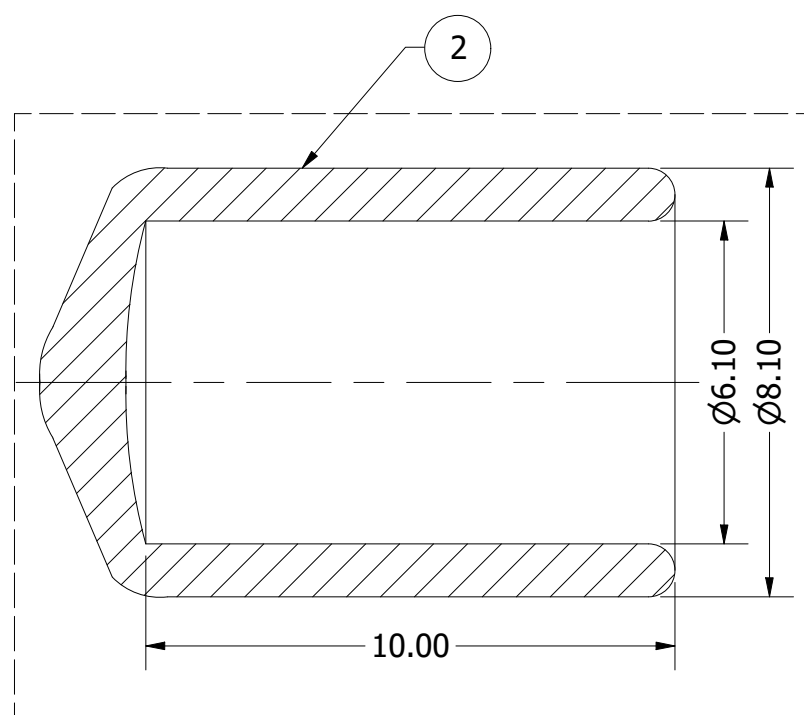
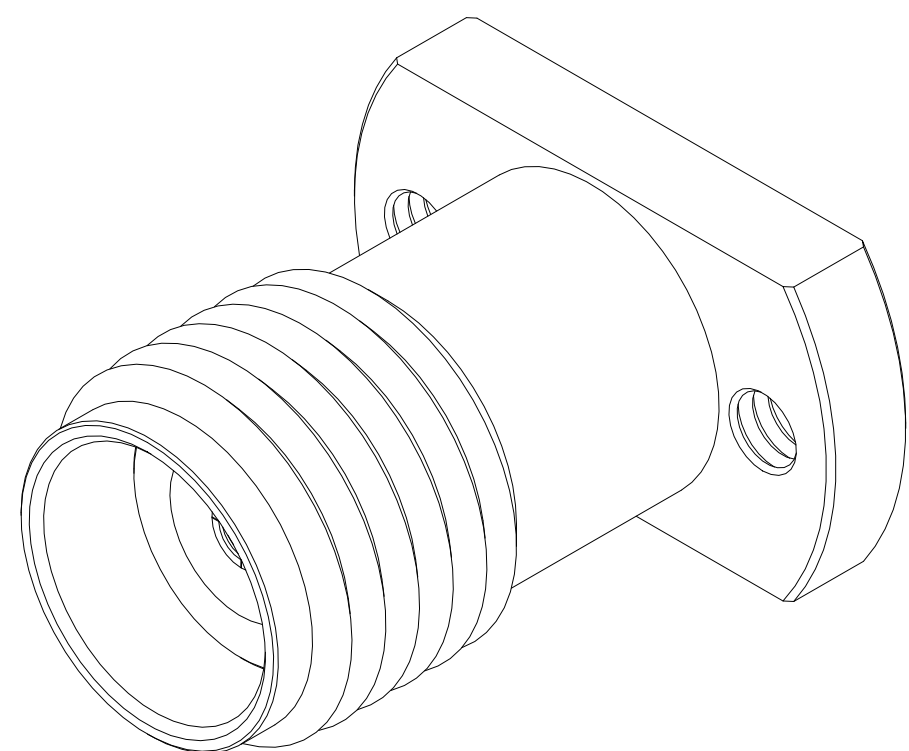
NOTES:

1. These characteristics are typical and for reference.
2. Mounting screws must not extend beyond this line
3. Parts to be packaged in trays
4. Protection cap must be installed before packing

RoHS Compliant



Recommended PCB Layout



ITEM No.: 61-20014-44050
Customer P/N: MLPB-292FVSL

| ITEM | PART NUMBER | DESCRIPTION | MATERIAL | FINISH | Q'TY |
|------|--------------|----------------|-------------------------|----------------------------|------|
| 3 | 400-7020-003 | SCREW (L=9.53) | STAINLESS STEEL SUS 302 | PASSIVATED | 2 |
| 3 | 400-7020-001 | SCREW (L=6.35) | STAINLESS STEEL SUS 302 | PASSIVATED | 2 |
| 3 | 400-7020-000 | SCREW (L=4.76) | STAINLESS STEEL SUS 302 | PASSIVATED | 2 |
| 2 | 438-7000-012 | PROTECTION CAP | SOFT PVC (YELLOW) | N/A | 1 |
| 1 | 438-7000-008 | INSULATOR | PCTFE (WHITE) | N/A | 1 |
| 1 | 435-7015-004 | SOCKET | BeCu C17300 | Cu0.75um Ni2.50um Au0.75um | 1 |
| 1 | 435-7015-009 | INNER BODY | STAINLESS STEEL SUS 303 | PASSIVATED | 1 |
| 1 | 435-7015-001 | BODY | STAINLESS STEEL SUS 303 | PASSIVATED | 1 |

KEY DIMENSION NEED
100% INSPECTION

SURF. TEXTURE

1.6

PROPRIETARY AND CONFIDENTIAL
THE INFORMATION CONTAINED IN THIS DRAWING IS THE SOLE PROPERTY OF MULTILANE. ANY REPRODUCTION IN PART OR AS WHOLE WITHOUT THE WRITTEN PERMISSION OF MULTILANE IS PROHIBITED

UNLESS OTHERWISE SPECIFIED

DIMENSIONS ARE IN MILLIMETRES

TOLERANCES:

x.x ± 0.1
x.xx ± 0.05
Ang ± 0.1°

MATERIAL:

FINISH:

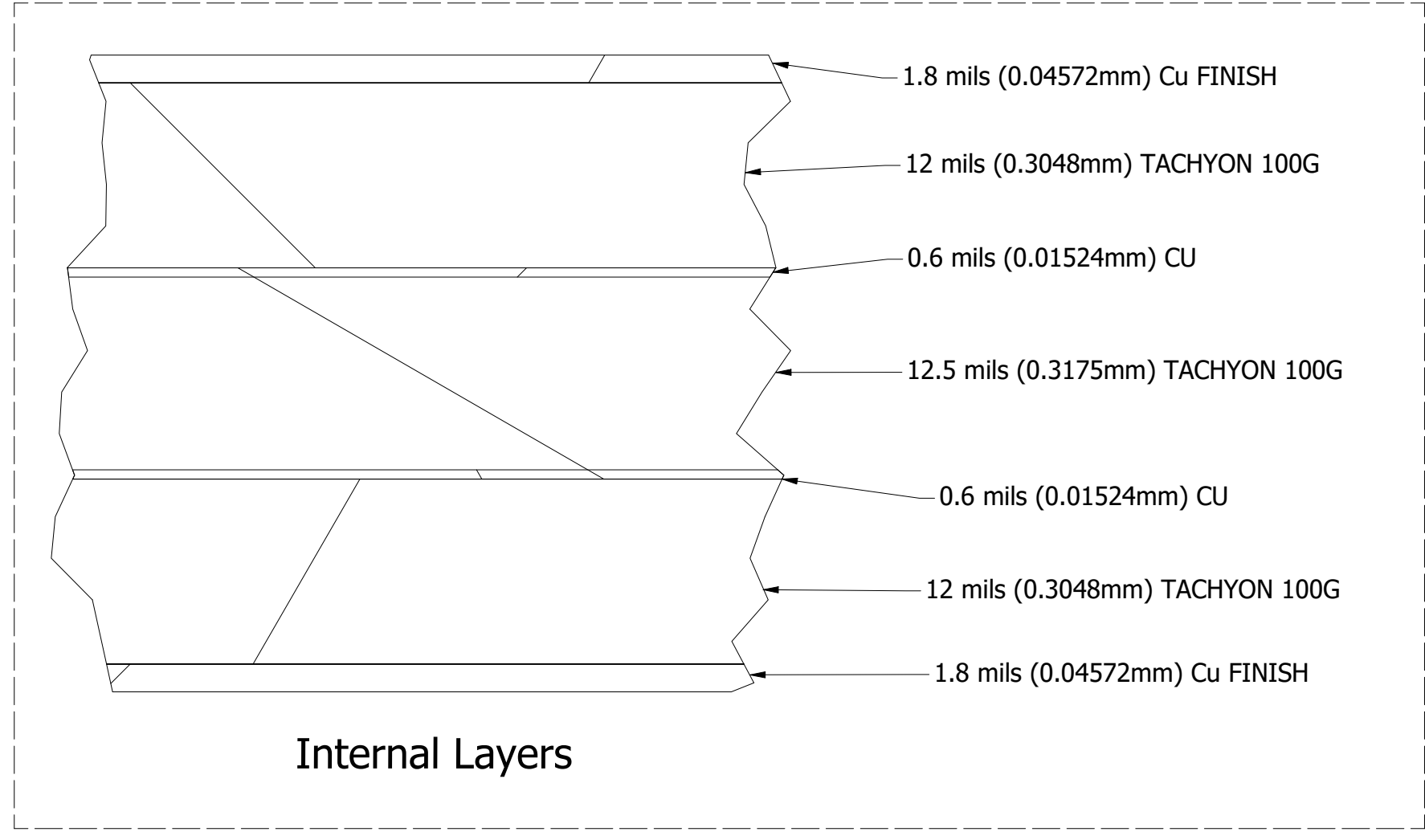
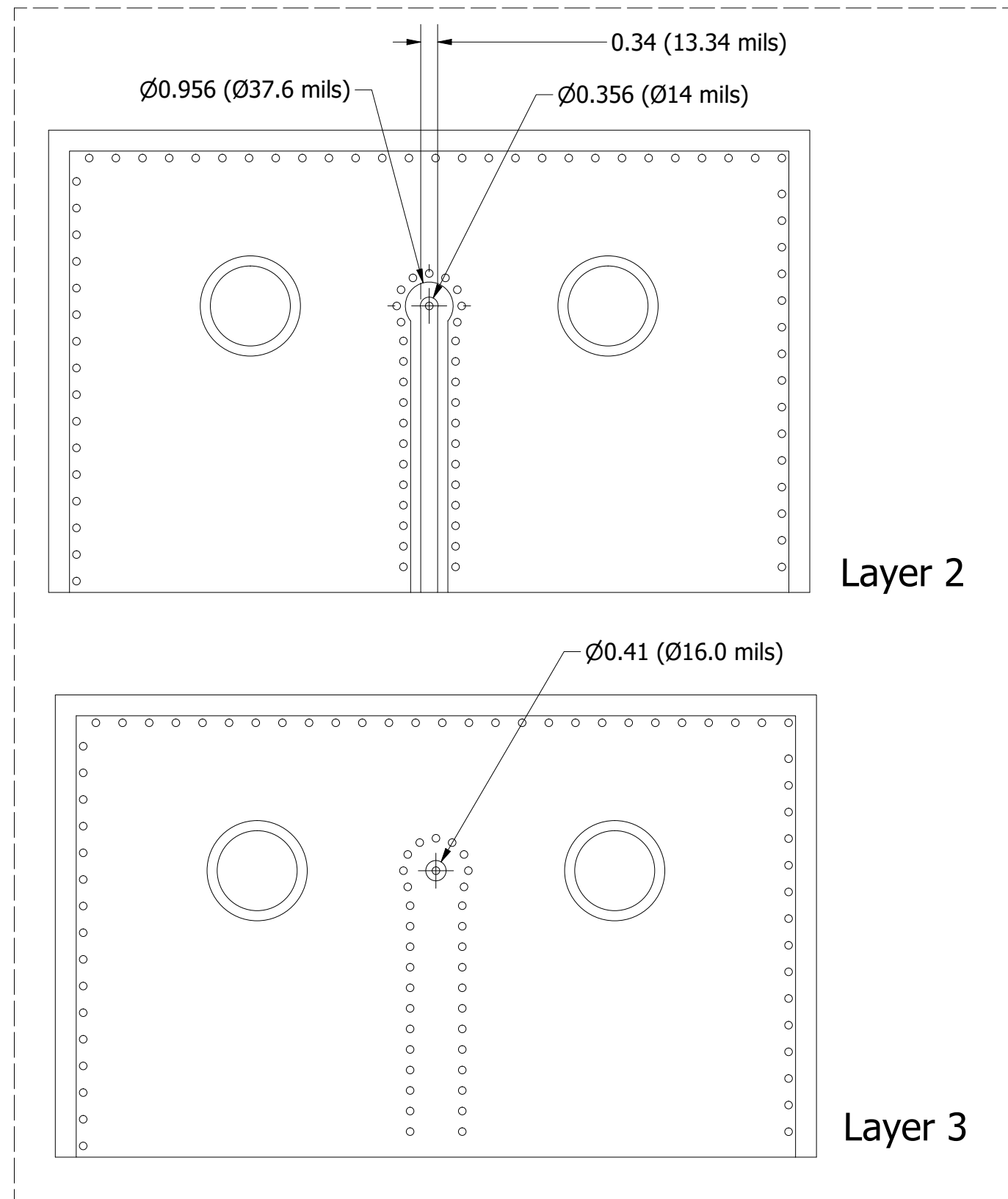
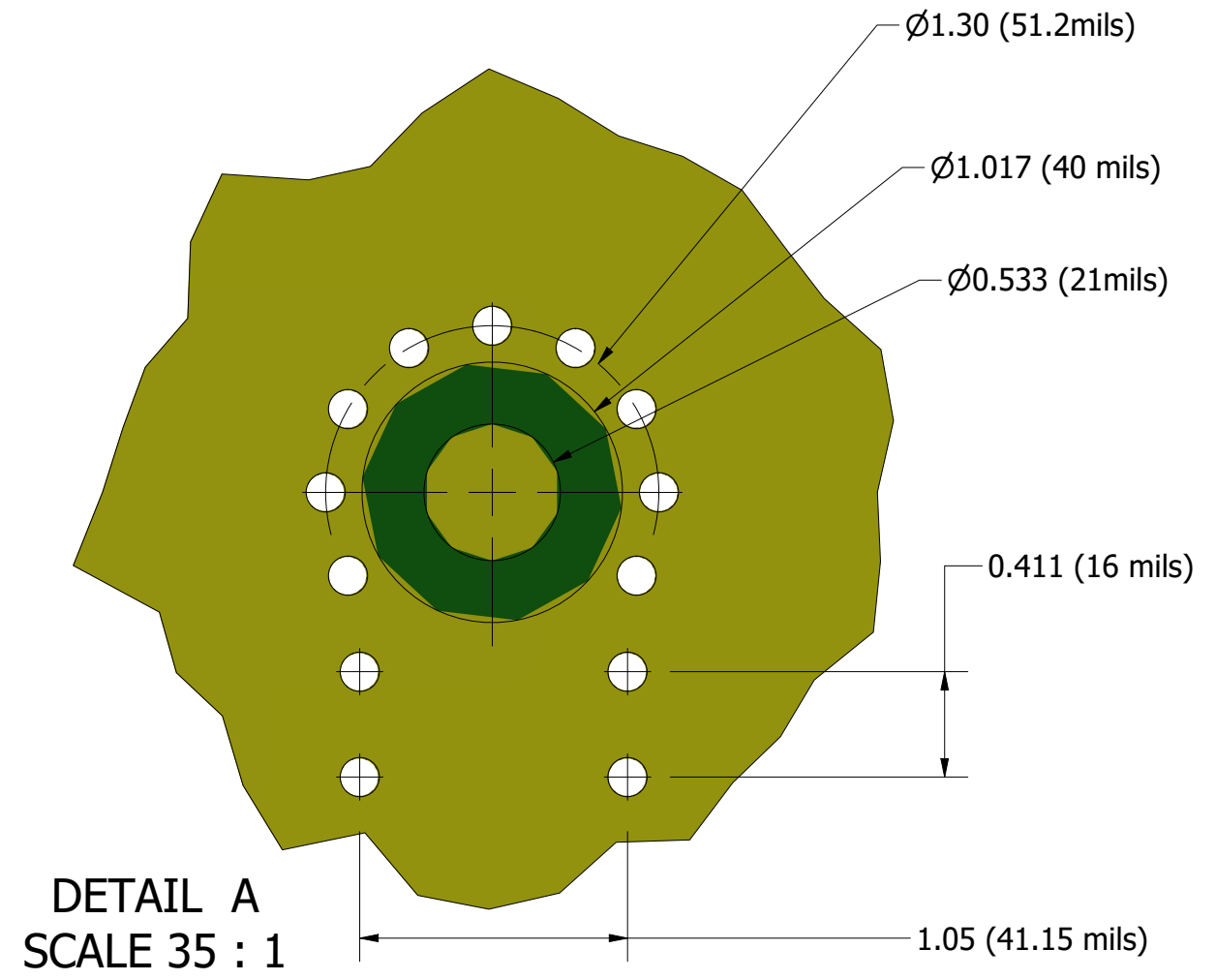
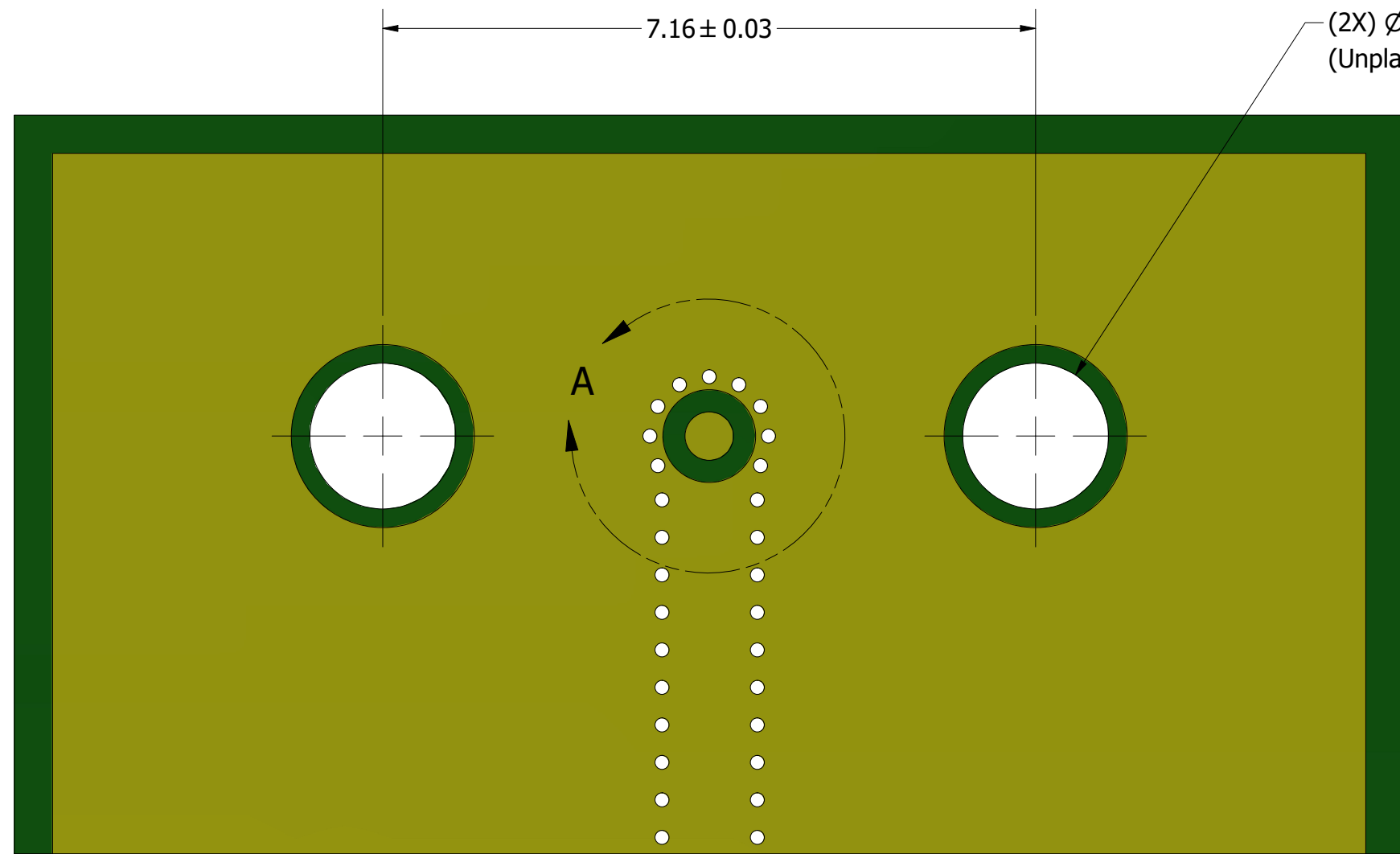
INTERPRET GEOMETRIC TOLERANCING PER: ASME Y14.5-2009

multiLane

TITLE
Solderless Board Mount Precision Connector,
Vertical Launch, Stripline, 2.92 mm (F),
40 GHz

| | | |
|-------|--------------|-----|
| SIZE | DWG NO | REV |
| C | 142-7015-292 | A00 |
| SCALE | SHEET 1 OF 2 | |
| 7:1 | | |

Recommended Footprint



PROPRIETARY AND CONFIDENTIAL
THE INFORMATION CONTAINED IN THIS DRAWING IS THE SOLE PROPERTY OF MULTILANE. ANY REPRODUCTION IN PART OR AS WHOLE WITHOUT THE WRITTEN PERMISSION OF MULTILANE IS PROHIBITED

UNLESS OTHERWISE SPECIFIED
DIMENSIONS ARE IN MILLIMETRES
TOLERANCES:
x.x ± 0.1
x.xx ± 0.05
Ang ± 0.1°

MATERIAL: N/A
FINISH: N/A
INTERPRET GEOMETRIC TOLERANCING PER: ASME Y14.5-2009

multiLane

TITLE
Solderless Board Mount Precision Connector, Vertical Launch, Stripline, 2.92 mm (F), 40 GHz, Recommended Footprint

| | | |
|------------------|------------------------|------------|
| SIZE C | DWG NO 440-7114-001 | REV A00 |
| SCALE 1 : 1 | SHEET 2 OF 2 | |