

CUSTOMER OUTLINE DRAWING

REVISION HISTORY		
ZONE	REV	DESCRIPTION
	A00	Design Release

ELECTRICAL SPECIFICATIONS

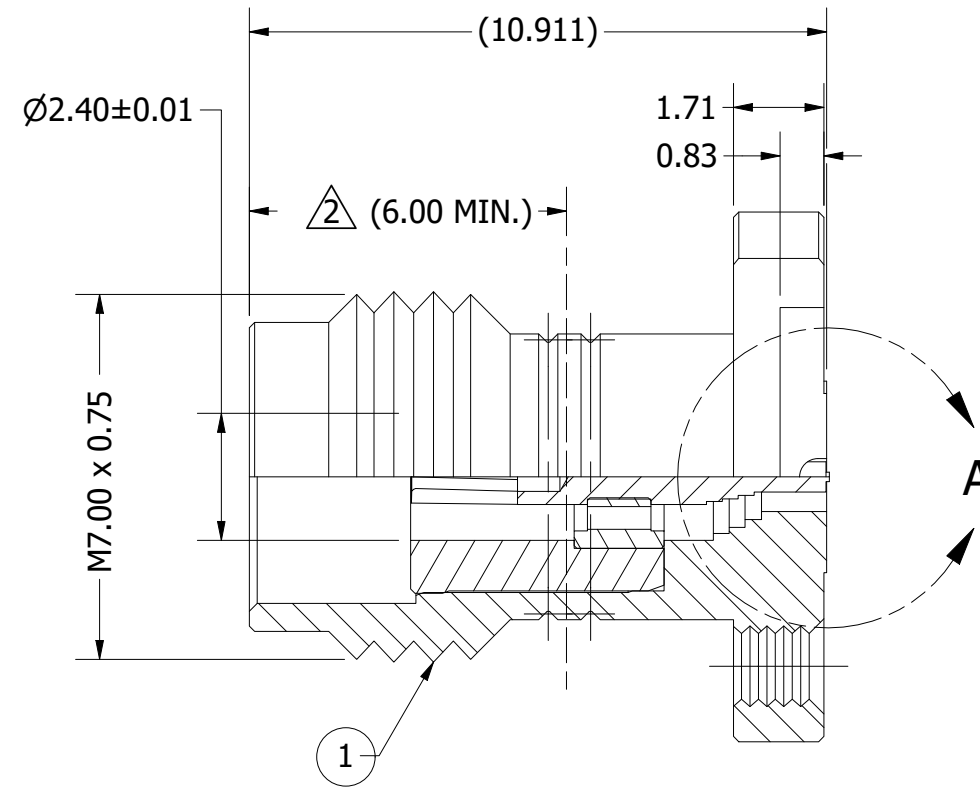
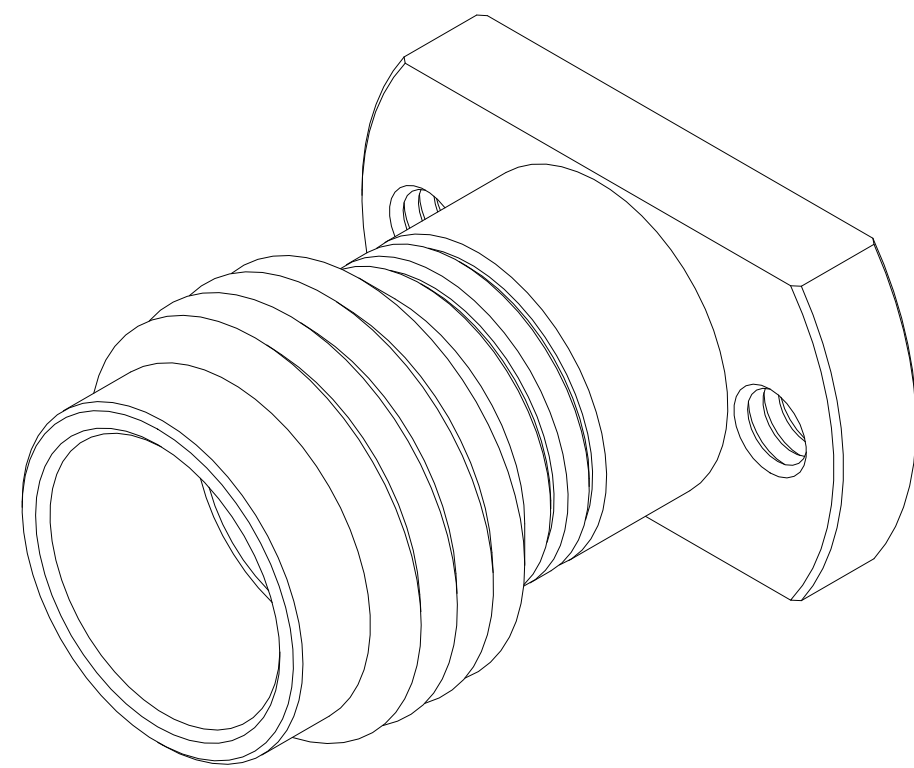
Impedance	50 ohm
Frequency Range	0 ~ 50 GHz
V.S.W.R.	1.30 max at 50 GHz
Insertion Loss	≤ 0.49 DB at 50 GHz
Working Voltage (at Sea Level)	500 V RMS max.
Dielectric Withstanding Voltage (at Sea Level)	1000 V RMS MAX.
Contact Resistance	
Center Contact	3 Milliohms max.
Outer Contact	2.5 Milliohms max.
Insulation Resistance	5000 megaohms min.

MECHANICAL SPECIFICATIONS

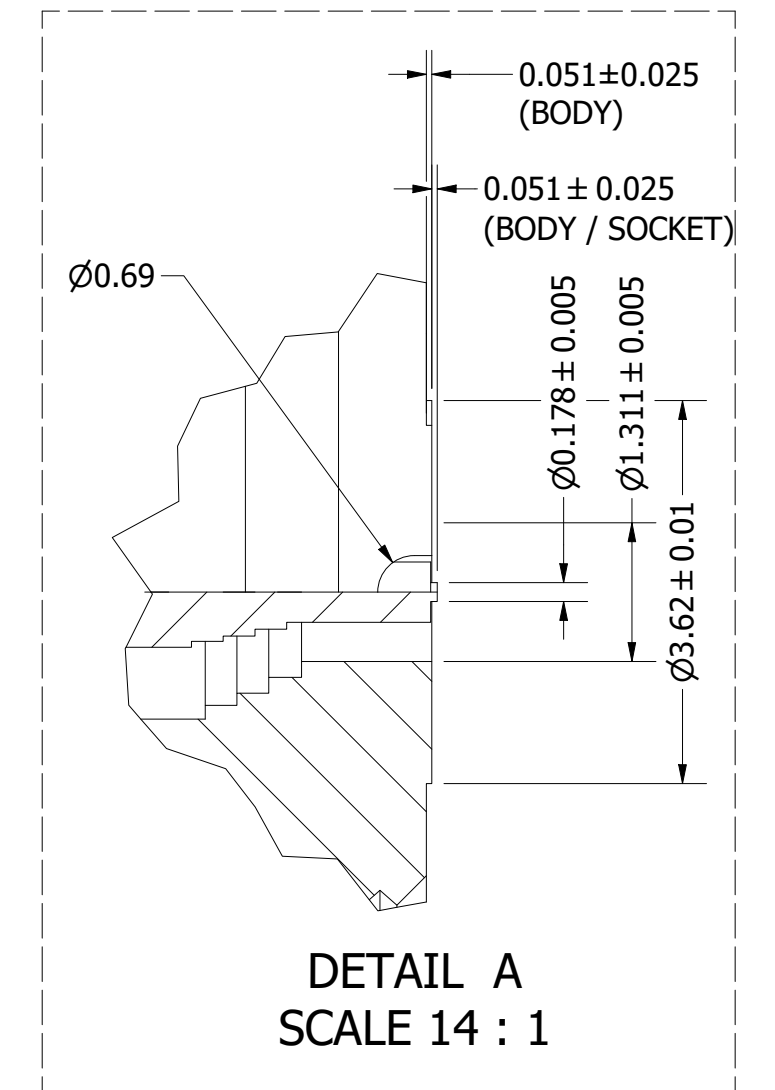
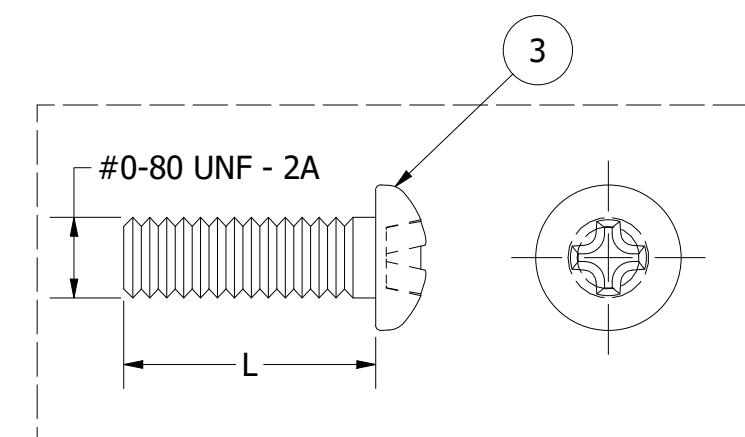
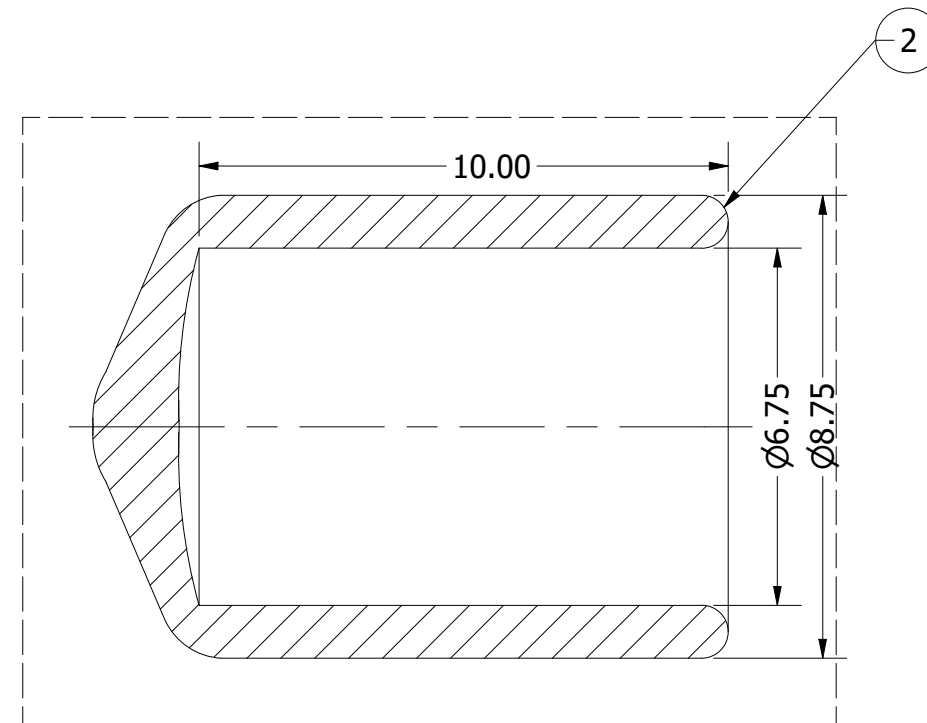
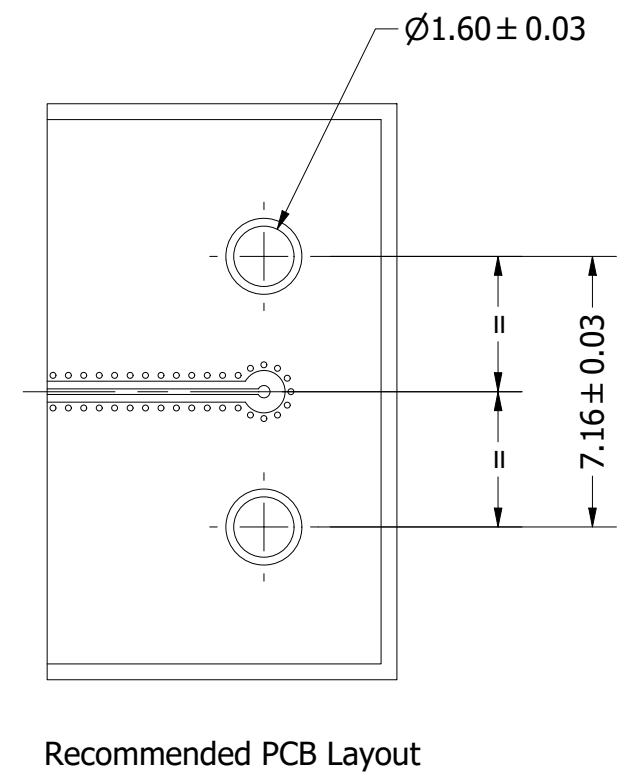
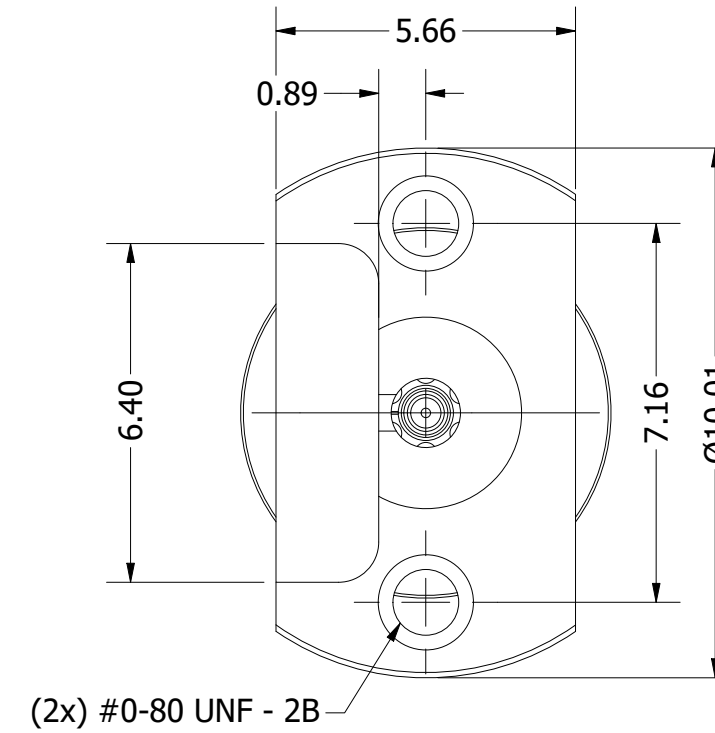
Temperature Range	-55°C to +120°C
Male-Female Mating Cycles	≥ 500 Cycles
Installation Cycles	100

NOTES:

1. These characteristics are typical and for reference.
2. Mounting screws must not extend beyond this line
3. Parts to be packaged in trays
4. Protection cap must be installed before packing



RoHS Compliant



ITEM No.: 60-2X027-44050
Customer P/N: MLPB-240FVCW

ITEM	PART NUMBER	DESCRIPTION	MATERIAL	FINISH	Q'TY
3	400-7020-002	SCREW (L=11.13)	STAINLESS STEEL SUS 302	PASSIVATED	2
3	400-7020-001	SCREW (L=6.35)	STAINLESS STEEL SUS 302	PASSIVATED	2
3	400-7020-000	SCREW (L=4.76)	STAINLESS STEEL SUS 302	PASSIVATED	2
2	438-7001-012	PROTECTION CAP	SOFT PVC (GREEN)	N/A	1
1	438-7001-008	INSULATOR	PCTFE (WHITE)	N/A	1
1	435-7021-004	SOCKET	BeCu C17300	Cu0.75um Ni2.50um Au0.75um	1
1	435-7006-009	INNER BODY	STAINLESS STEEL SUS 303	PASSIVATED	1
1	435-7021-001	BODY	STAINLESS STEEL SUS 303	PASSIVATED	1

KEY DIMENSION NEED
100% INSPECTION

SURF. TEXTURE 1.6

PROPRIETARY AND CONFIDENTIAL
THE INFORMATION CONTAINED IN THIS DRAWING IS THE SOLE PROPERTY OF MULTILANE. ANY REPRODUCTION IN PART OR AS WHOLE WITHOUT THE WRITTEN PERMISSION OF MULTILANE IS PROHIBITED

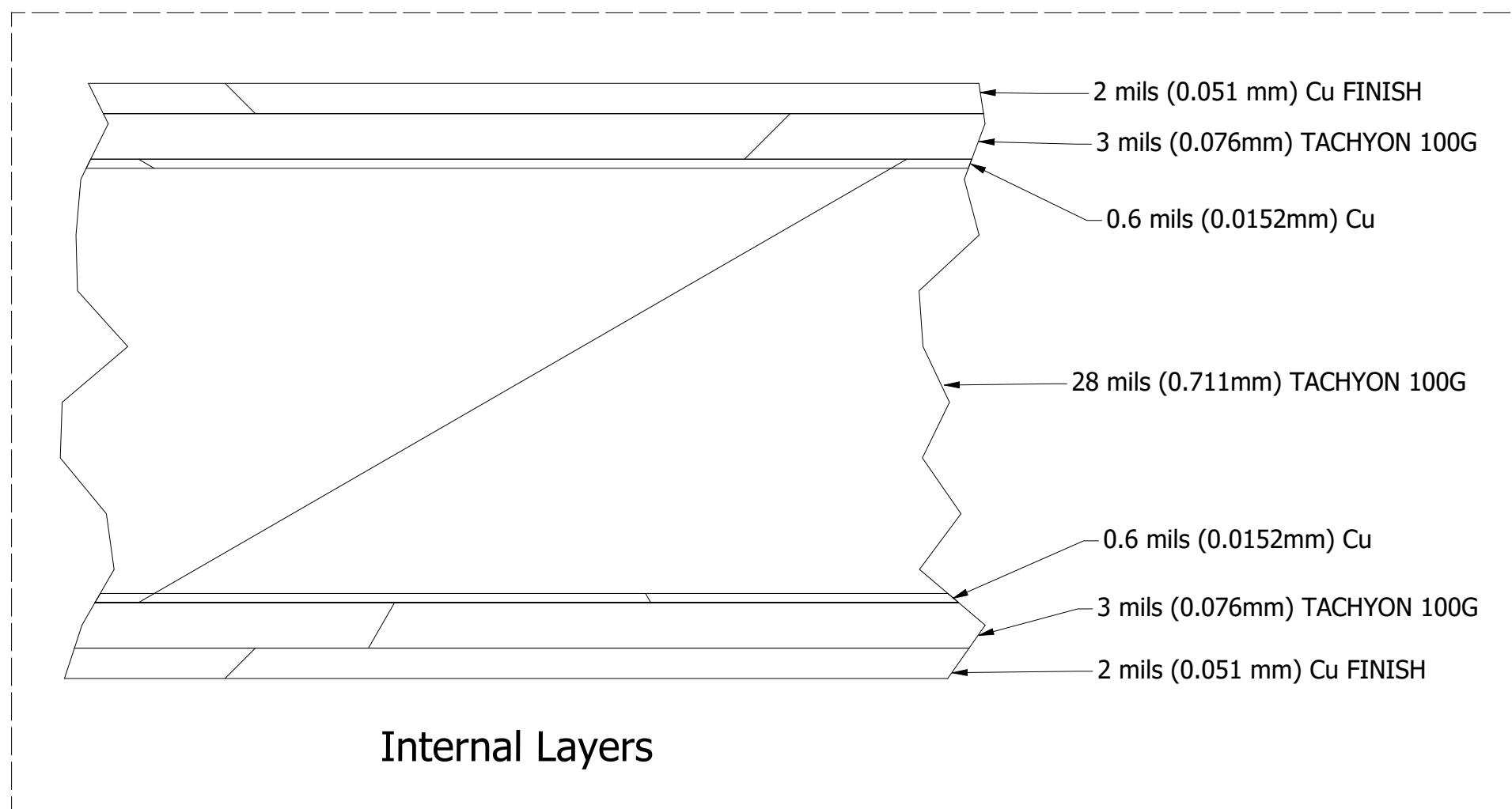
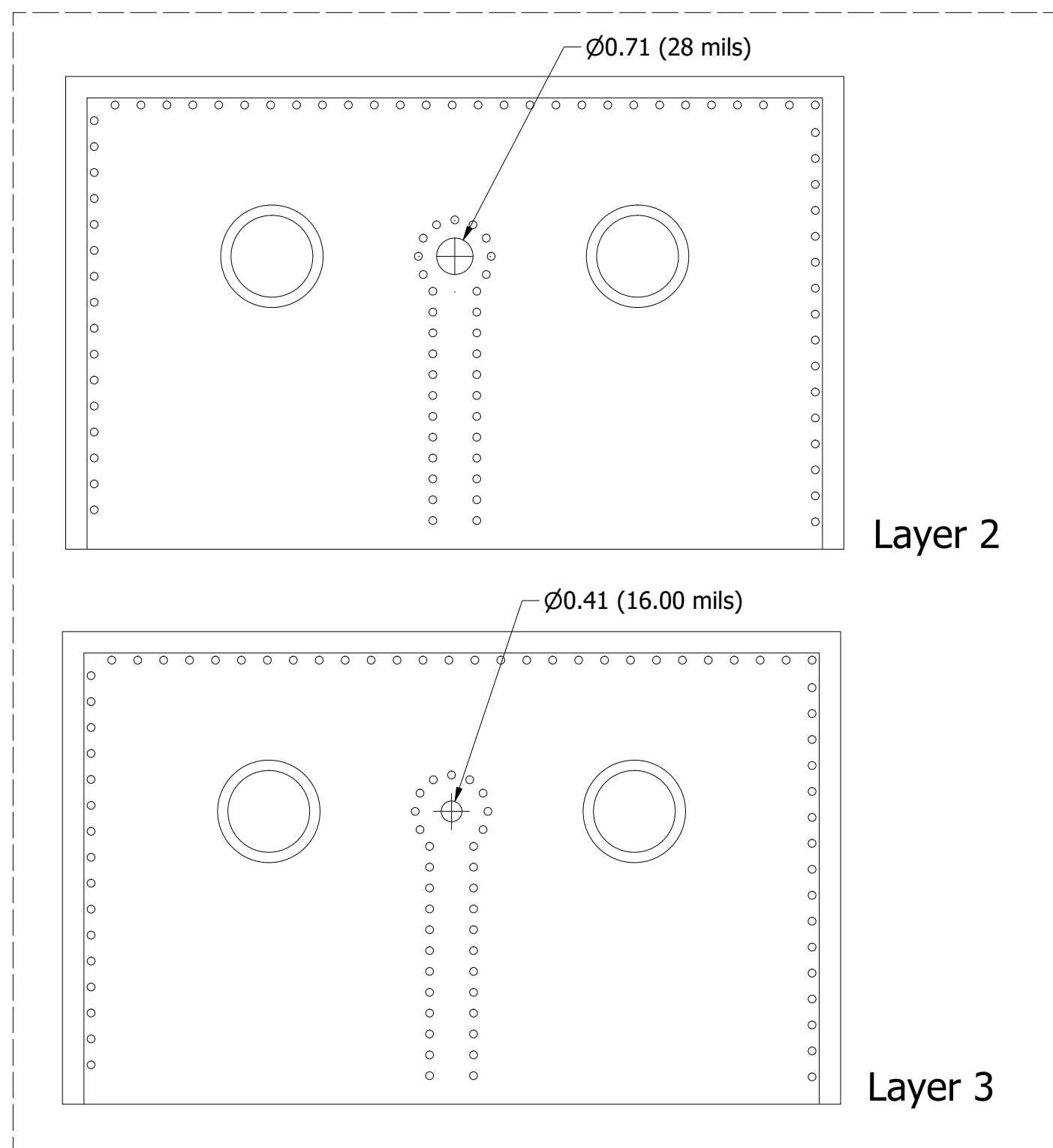
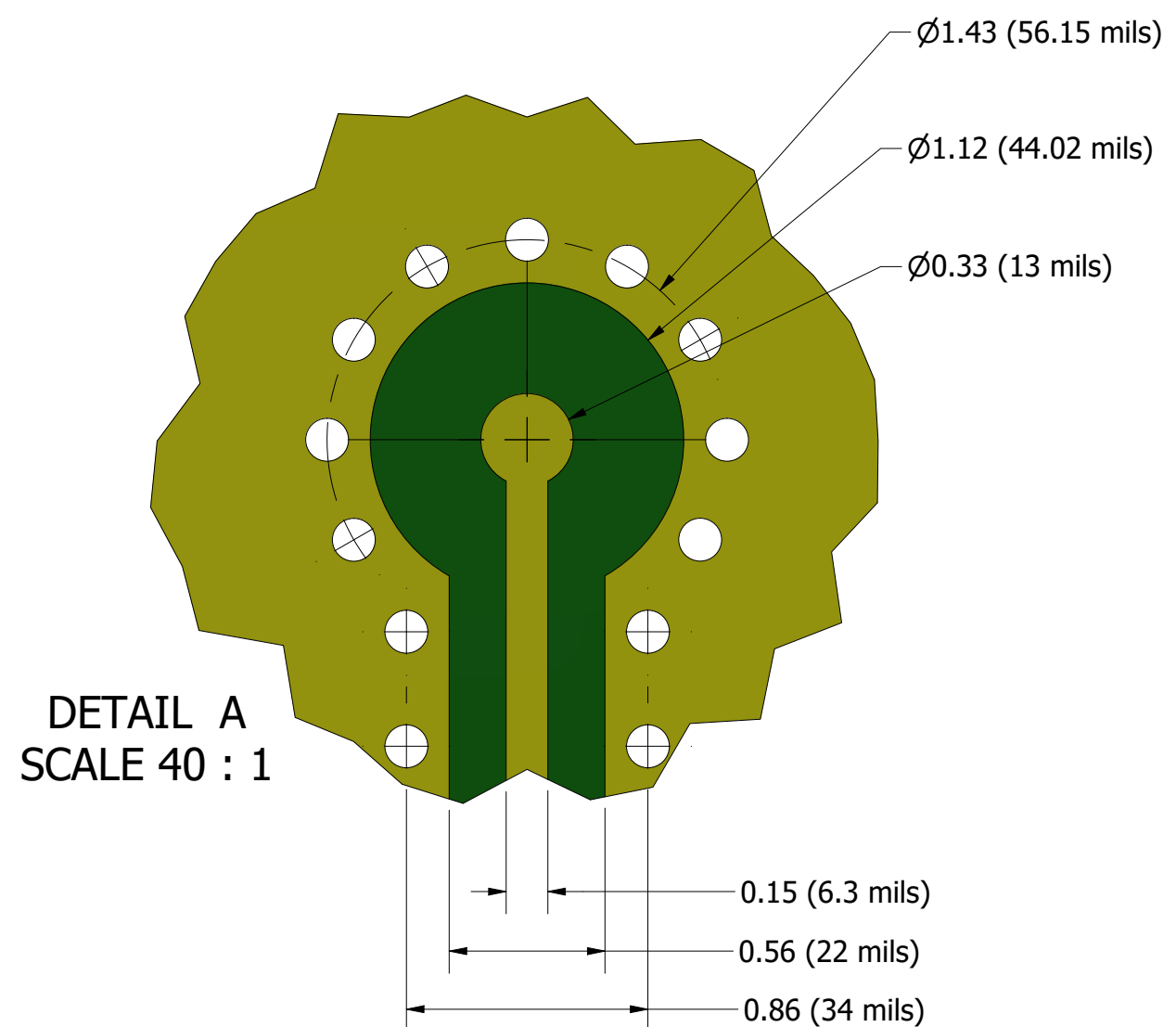
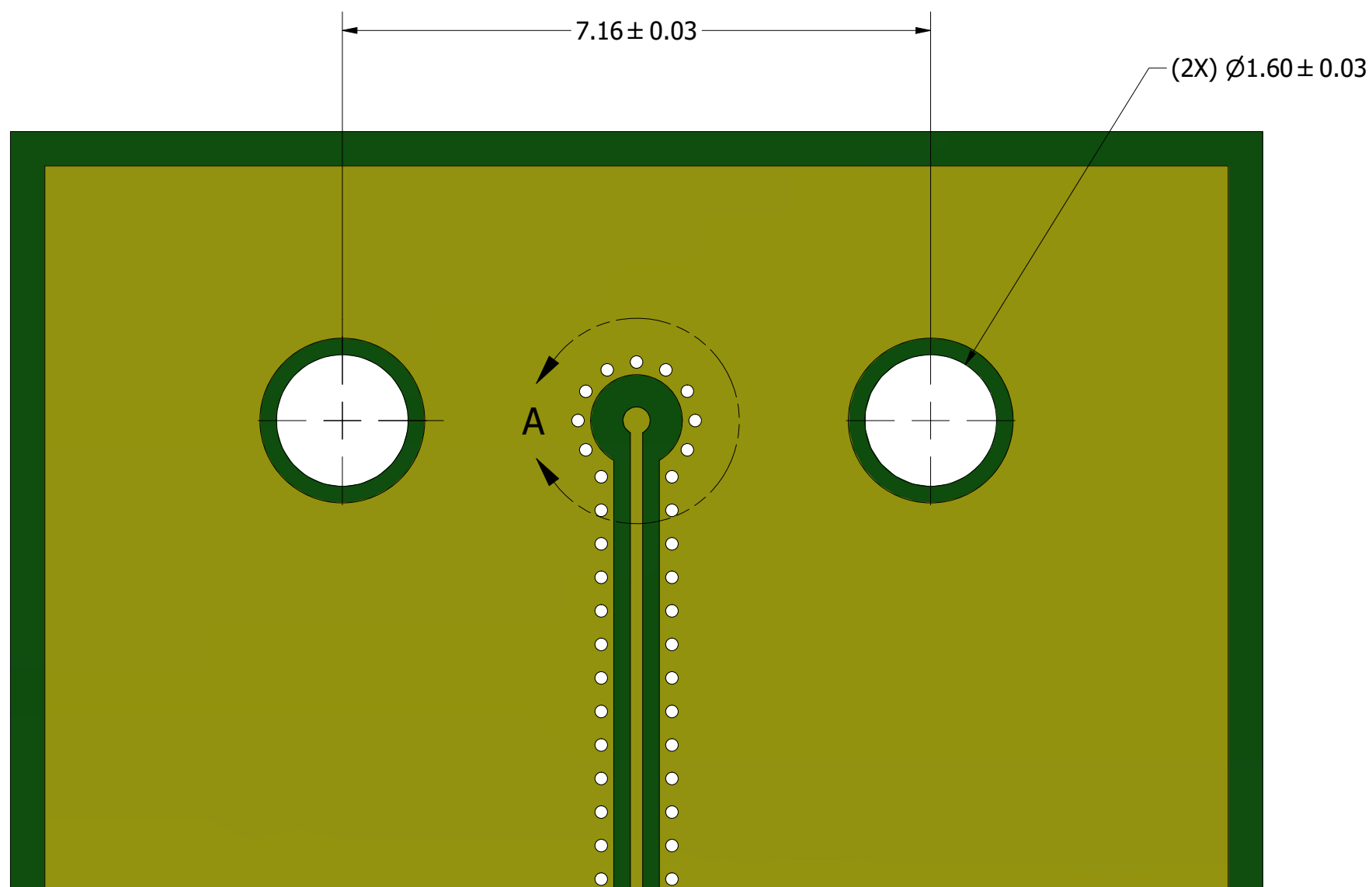
UNLESS OTHERWISE SPECIFIED
DIMENSIONS ARE IN MILLIMETRES
TOLERANCES:
x.x ± 0.1
x.xx ± 0.05
Ang ± 0.1°
MATERIAL: N/A
FINISH: N/A
INTERPRET GEOMETRIC TOLERANCING PER: ASME Y14.5-2009

multiLane

TITLE
Solderless Board Mount Precision Connector,
Vertical Launch, CPW, 2.40 mm (F),
50 GHz

SIZE	DWG NO	REV
C	142-7021-240	A00
SCALE	SHEET 1 OF 2	
7:1		

Recommended Footprint



UNLESS OTHERWISE SPECIFIED
DIMENSIONS ARE IN MILLIMETRES
TOLERANCES:
x.x \pm 0.1
x.xx \pm 0.05
Ang \pm 0.1°



TITLE
Solderless Board Mount Precision Connector,
Vertical Launch, CPW, 2.40 mm (F),
50 GHz, Recommended Footprint

PROPRIETARY AND CONFIDENTIAL
THE INFORMATION CONTAINED IN THIS
DRAWING IS THE SOLE PROPERTY OF
MULTILANE. ANY REPRODUCTION IN PART OR
AS WHOLE WITHOUT THE WRITTEN
PERMISSION OF MULTILANE IS PROHIBITED

MATERIAL: N/A
FINISH: N/A
INTERPRET GEOMETRIC TOLERANCING
PER: ASME Y14.5-2009

SIZE C	DWG NO 440-7114-002	REV A00
SCALE 14	SHEET 2 OF 2	