

# CUSTOMER OUTLINE DRAWING

REVISION HISTORY		
ZONE	REV	DESCRIPTION
	A00	Design Release

## ELECTRICAL SPECIFICATIONS

Impedance	50 ohm
Frequency Range	0 ~ 67 GHz
V.S.W.R.	1.30 max at 67 GHz
Insertion Loss	≤ 0.49 DB at 67 GHz
Working Voltage (at Sea Level)	500 V RMS max.
Dielectric Withstanding Voltage (at Sea Level)	500 V RMS MAX.
Contact Resistance	
Center Contact	3 Milliohms max.
Outer Contact	2.5 Milliohms max.
Insulation Resistance	5000 megaohms min.

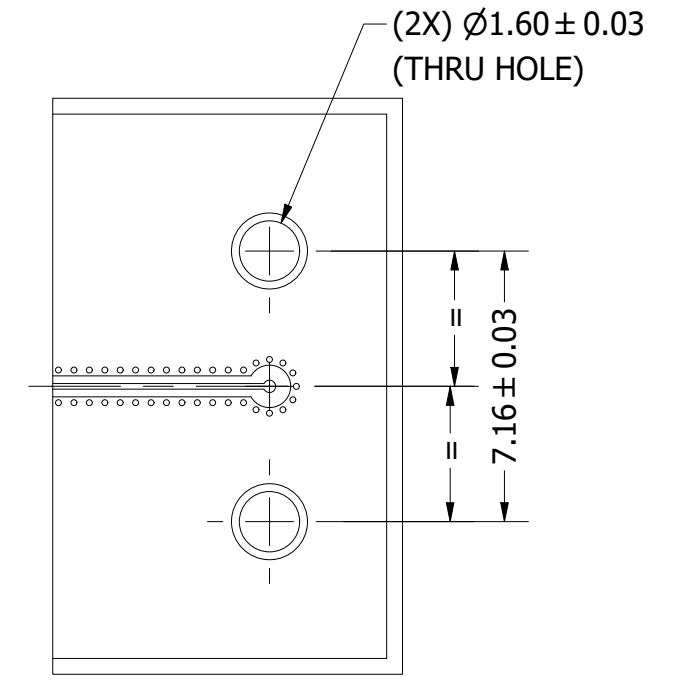
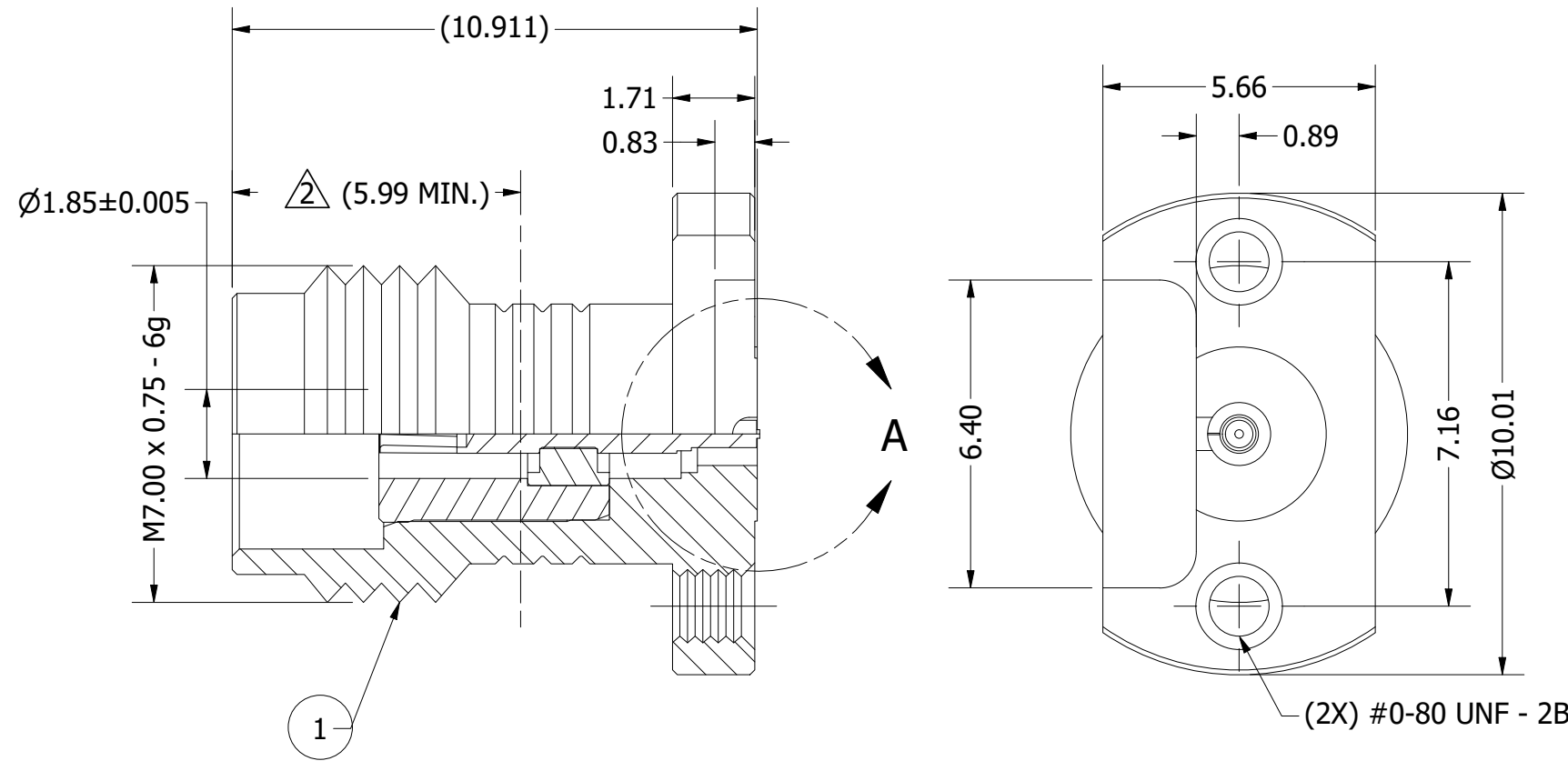
## MECHANICAL SPECIFICATIONS

Temperature Range	-55°C to +120°C
Male-Female Mating Cycles	≥ 500 Cycles
Installation Cycles	100

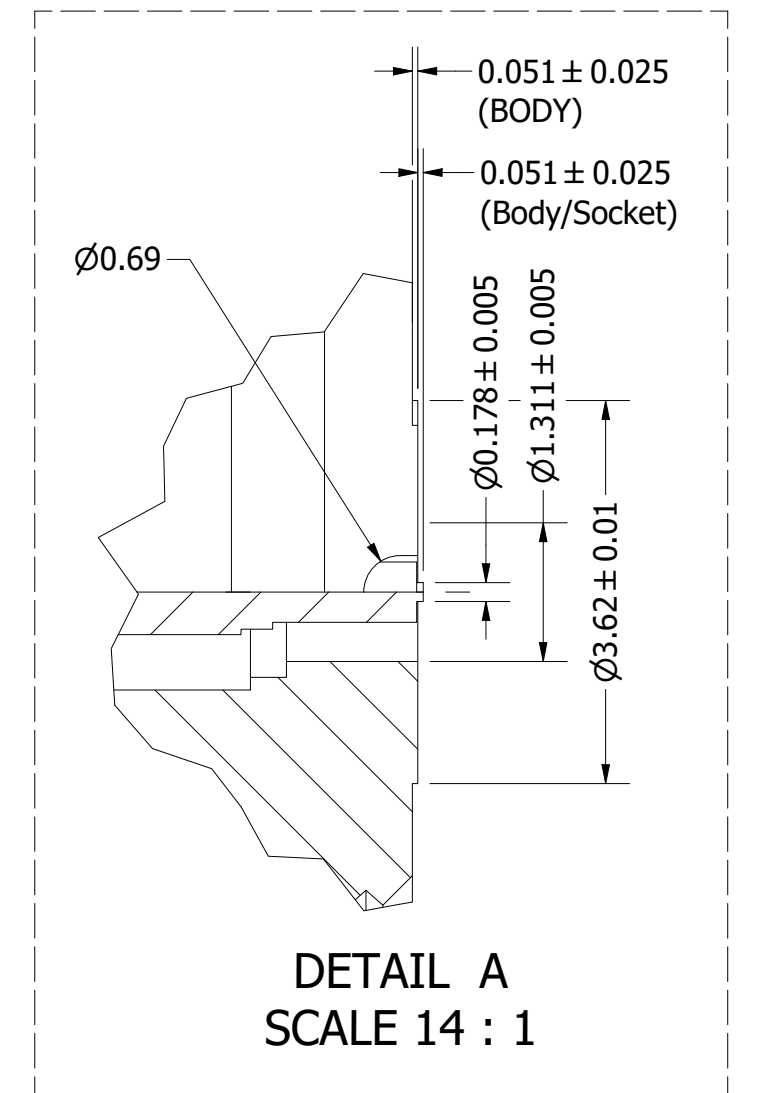
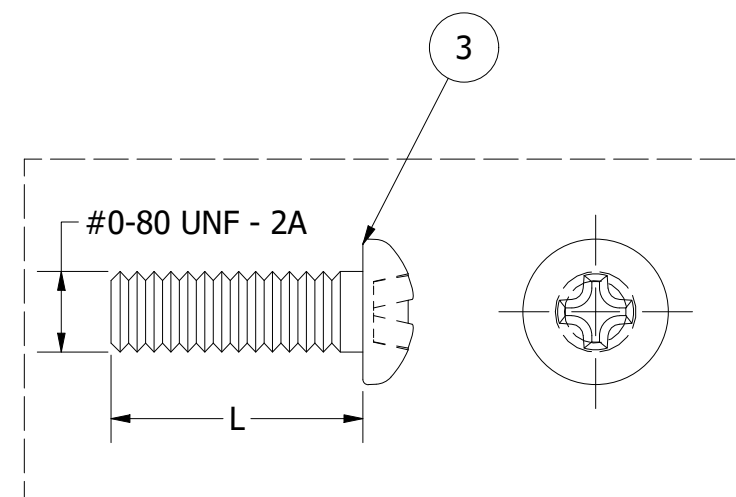
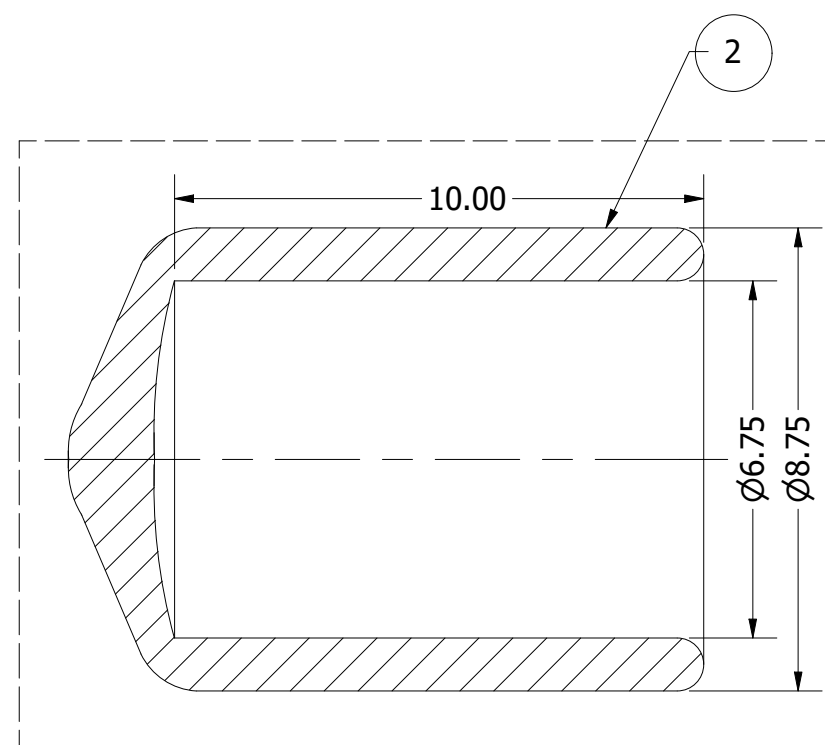
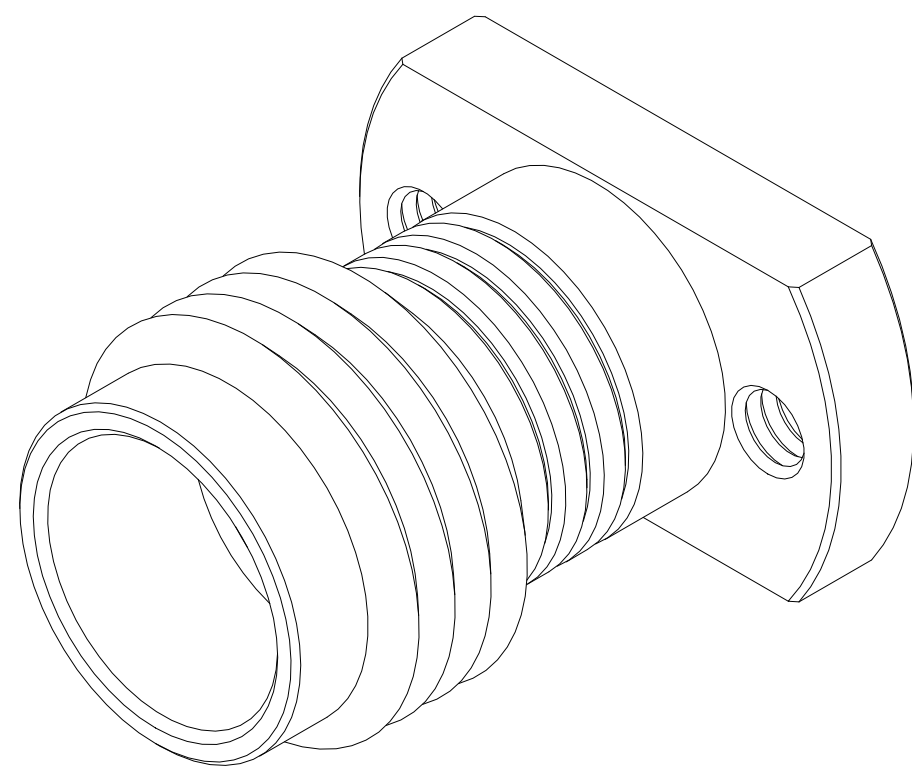
## NOTES:

1. These characteristics are typical and for reference.
2. Mounting screws must not extend beyond this line
3. Parts to be packaged in trays
4. Protection cap must be installed before packing

**RoHS Compliant**



Recommended PCB Layout



ITEM No.: 59-2X025-44050  
Customer P/N: MLPB-185FVCW

ITEM	PART NUMBER	DESCRIPTION	MATERIAL	FINISH	Q'TY
3	400-7020-002	SCREW (L=11.13)	STAINLESS STEEL SUS 302	PASSIVATED	2
3	400-7020-001	SCREW (L=6.35)	STAINLESS STEEL SUS 302	PASSIVATED	2
3	400-7020-000	SCREW (L=4.76)	STAINLESS STEEL SUS 302	PASSIVATED	2
2	438-7007-012	PROTECTION CAP	SOFT PVC (GREEN)	N/A	1
1	438-7002-008	INSULATOR	PCTFE (WHITE)	N/A	1
1	435-7022-004	SOCKET	BeCu C17300	Cu0.75um Ni2.50um Au0.75um	1
1	435-7007-009	INNER BODY	STAINLESS STEEL SUS 303	PASSIVATED	1
1	435-7022-001	BODY	STAINLESS STEEL SUS 303	PASSIVATED	1

KEY DIMENSION NEED  
100% INSPECTION

SURF. TEXTURE 1.6

PROPRIETARY AND CONFIDENTIAL  
THE INFORMATION CONTAINED IN THIS DRAWING IS THE SOLE PROPERTY OF MULTILANE. ANY REPRODUCTION IN PART OR AS WHOLE WITHOUT THE WRITTEN PERMISSION OF MULTILANE IS PROHIBITED

UNLESS OTHERWISE SPECIFIED  
DIMENSIONS ARE IN MILLIMETRES  
TOLERANCES:  
x.x ± 0.1  
x.xx ± 0.05  
Ang ± 0.1°  
MATERIAL:  
FINISH:  
INTERPRET GEOMETRIC TOLERANCING PER: ASME Y14.5-2009

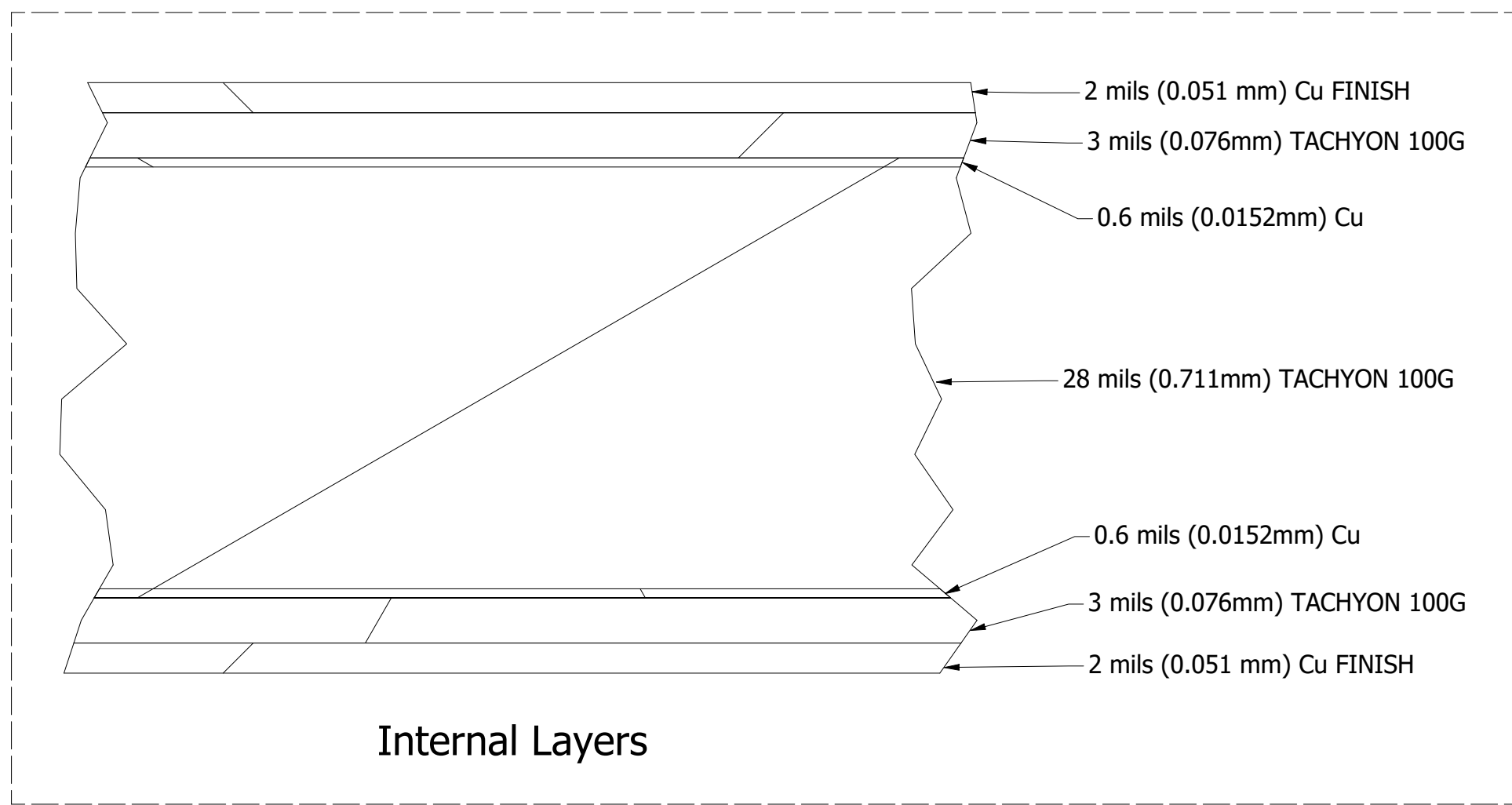
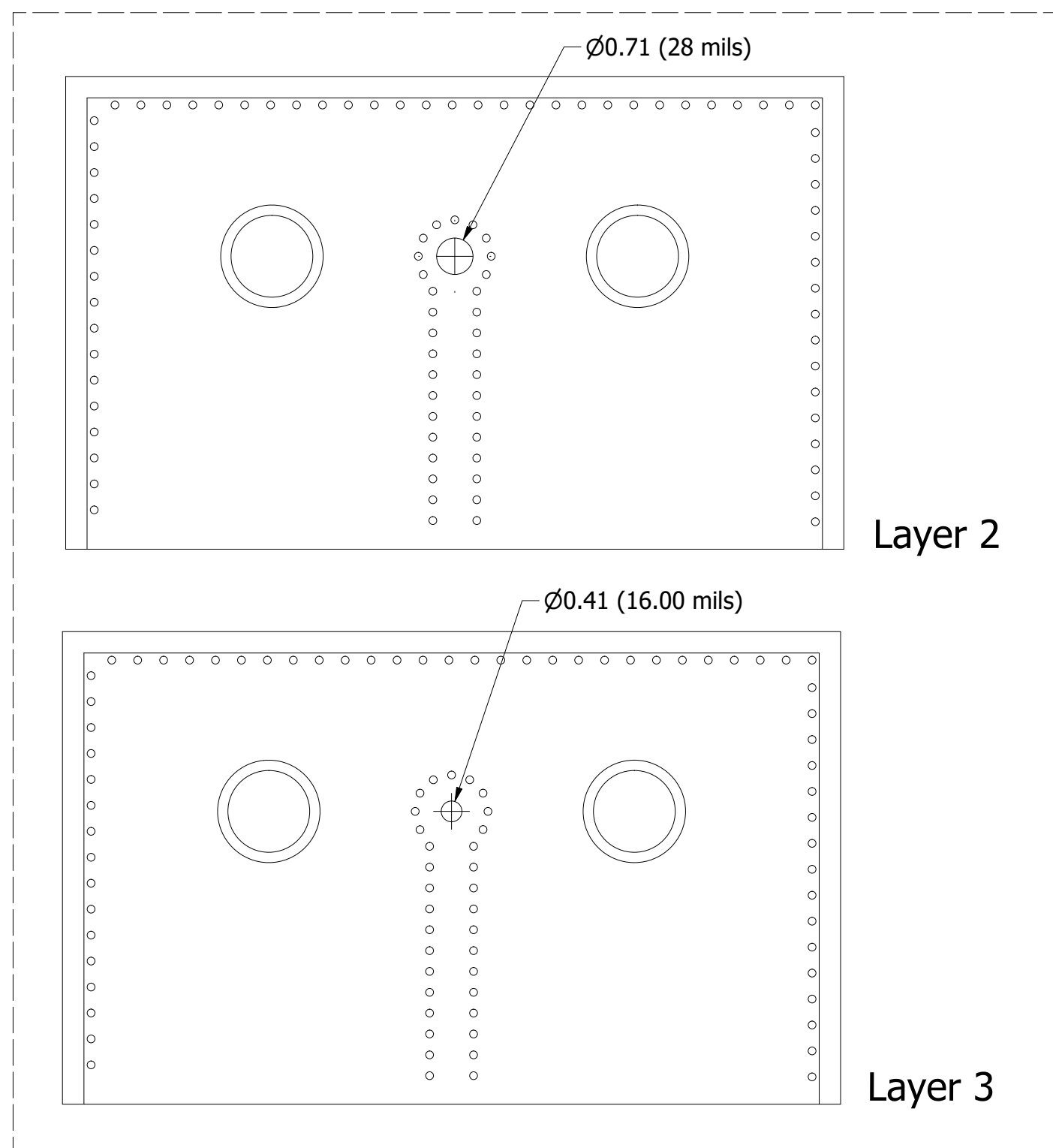
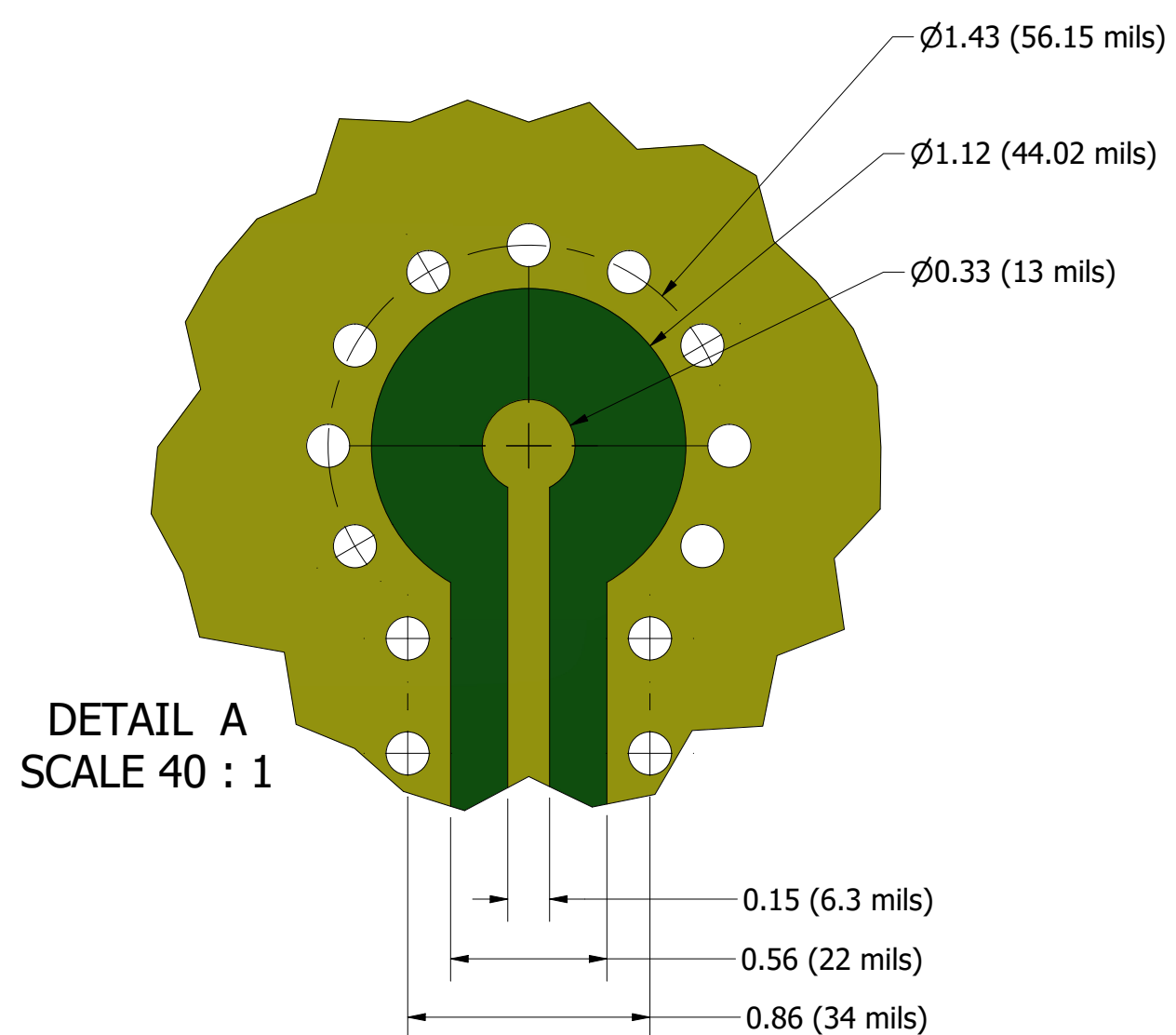
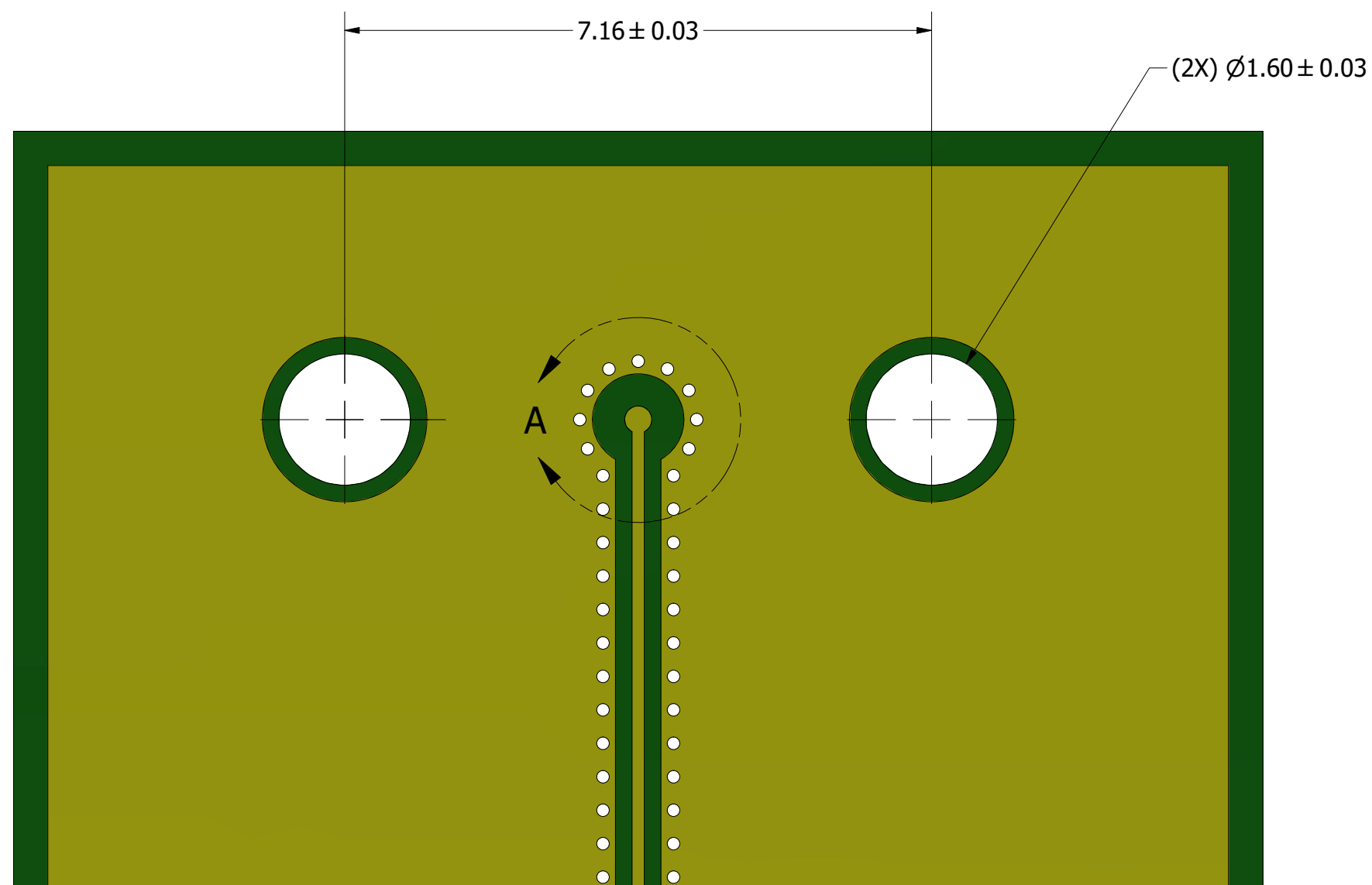


TITLE  
Solderless Board Mount Precision Connector,  
Vertical Launch, CPW, 1.85 mm (F),  
67 GHz

SIZE	DWG NO	REV
C	142-7022-185	A00

SCALE 7:1 SHEET 1 OF 2

# Recommended Footprint



UNLESS OTHERWISE SPECIFIED  
DIMENSIONS ARE IN MILLIMETRES  
TOLERANCES:  
x.x  $\pm 0.1$   
x.xx  $\pm 0.05$   
Ang  $\pm 0.1^\circ$



TITLE  
Solderless Board Mount Precision Connector,  
Vertical Launch, CPW, 1.85 mm (F),  
67 GHz, Recommended Footprint

PROPRIETARY AND CONFIDENTIAL  
THE INFORMATION CONTAINED IN THIS  
DRAWING IS THE SOLE PROPERTY OF  
MULTILANE. ANY REPRODUCTION IN PART OR  
AS WHOLE WITHOUT THE WRITTEN  
PERMISSION OF MULTILANE IS PROHIBITED

MATERIAL: N/A  
FINISH: N/A  
INTERPRET GEOMETRIC TOLERANCING  
PER: ASME Y14.5-2009

SIZE C	DWG NO 440-7114-002	REV A00
SCALE 14	SHEET 2 OF 2	