

Solderless Board Mount Connector, 2.92 mm (F), Vertical Mount, Coplanar Waveguide

Package Contents

Connector	1 Pc
Screws	2 Pcs
Protection Cap	1 Pc

Connector Configuration

Connector	2.92 mm Female
Interface Type	Vertical Coplanar Waveguide

Materials

Description	Material	Finish
Center Pin	Beryllium Copper	Gold-Plated
Connector Body	Stainless Steel	Passivated

Electrical Specifications

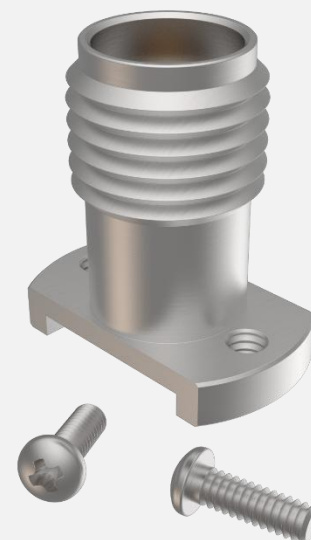
Impedance	50 Ohms
Frequency Range	DC to 40 GHz
V.S.W.R.	1.018 max. at 40 GHz
Return Loss	-40 dB at 40 GHz
Insertion Loss	-0.015 dB at 40 GHz

Mechanical Specifications

Male-Female Mating Cycles	≥ 500 Cycles
Installation Cycles	100

Environmental Specifications

Operating Temperature Range	-55 to +120 °C
-----------------------------	----------------



Features:

- Solderless
- Easy 2 Step Installation
- Compatible only with CPW traces
- Compression Mount



Solderless Board Mount Connector, 2.92 mm (F), Vertical Mount, Coplanar Waveguide

How to Order:

Customer Part Number: **MLBMC-292FVCW-X**

X	Screw Length	PCB Thickness
4	4.76 mm	≤1.1 mm
6	6.35 mm	1.1 – 4.3 mm
9	9.53 mm	4.3 – 7.8 mm

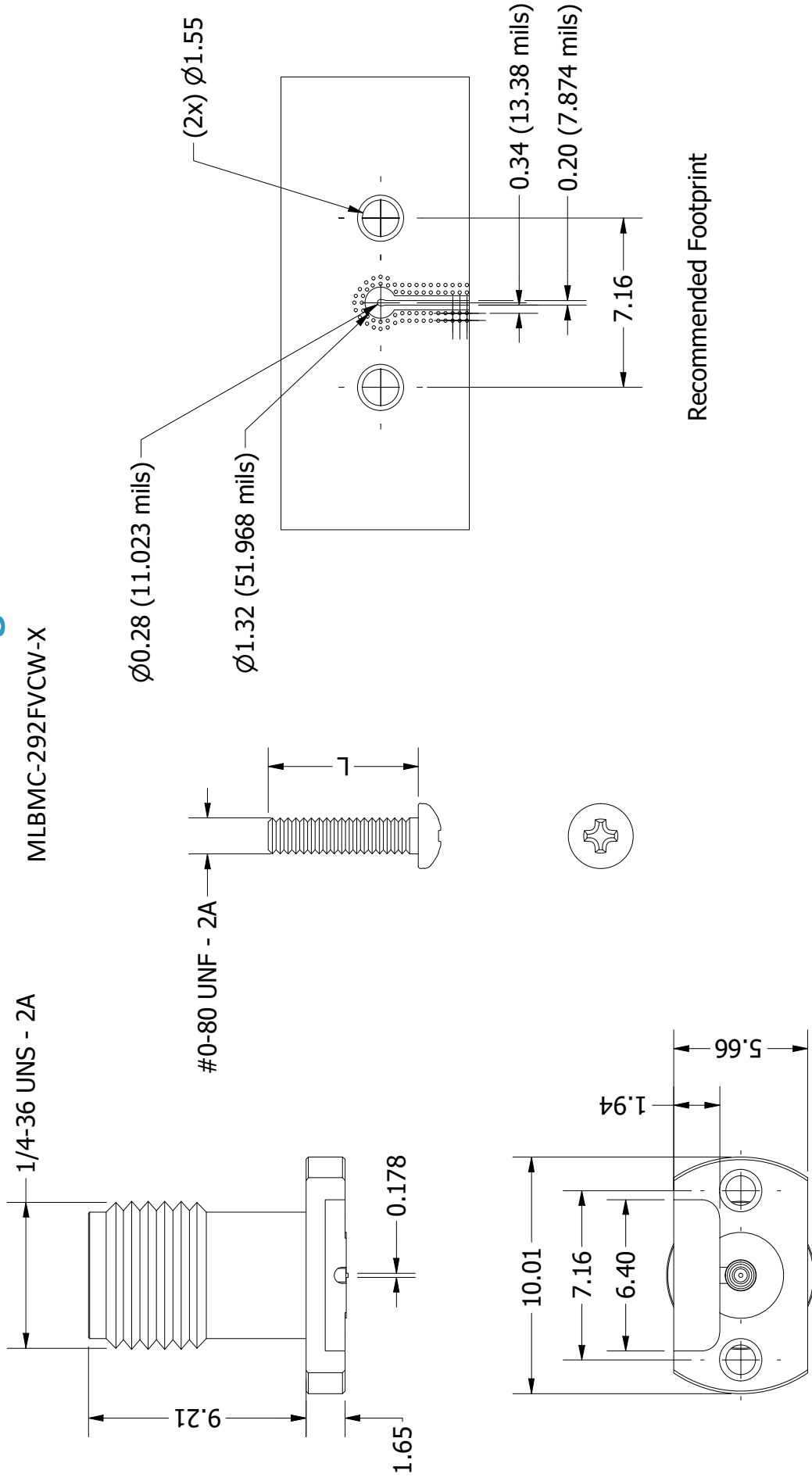
Example:

PN: *MLBMC-292FVCW-4*

Description: *Solderless Board Mount Connector, 2.92 mm (F), Vertical Mount, Coplanar Waveguide, with 4.76 mm long Screws*

CAD Drawing

MLBMC-292FVCW-X



Title:

Solderless Board Mount Connector,
2.92 mm (F), Vertical Mount, Coplanar
Waveguide

Notes:

1. All dimensions are in millimetres unless otherwise specified.
2. These characteristics are typical and for reference.

Rev: A

Scale: 4:1



www.multilaneinc.com
sales@multilaneinc.com